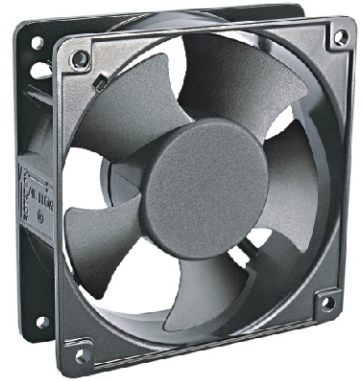


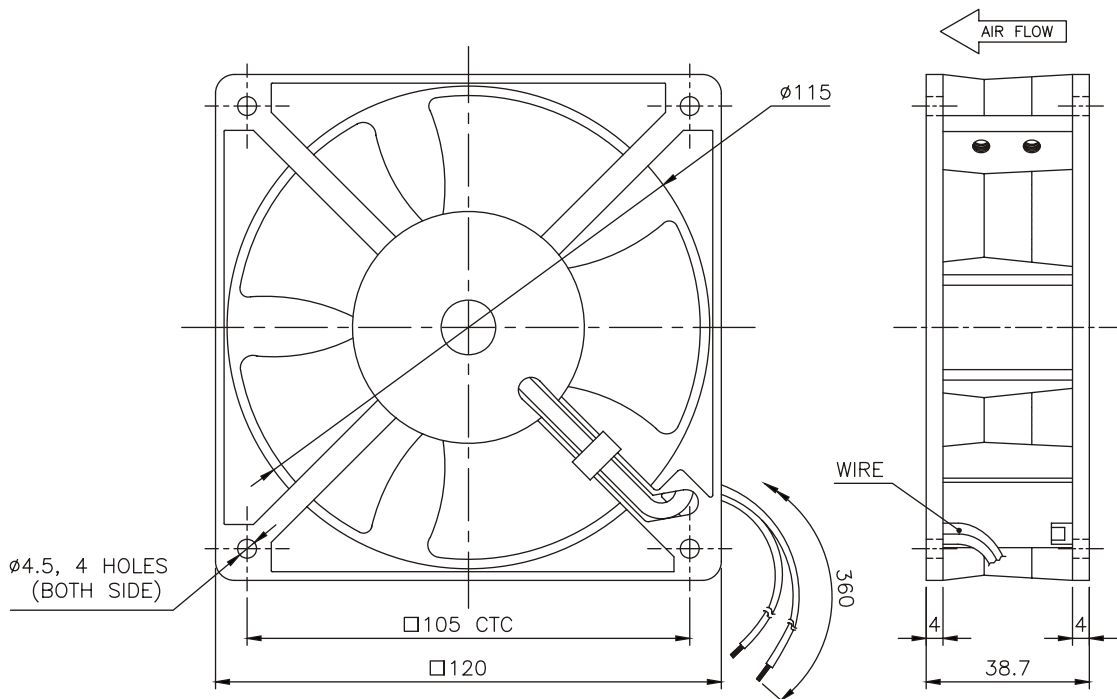
120 x 120 x 38 mm

- Motor Design : DC Brushless Motor
- Housing : Aluminium Die-cast
- Impellor : PBT (Polybutylene Terephthalate)
- Bearing : Sleeve or Ball Bearing
- Operating Voltage : 12V (8 ~ 14.8 VDC)
24V (18 ~ 27 VDC)
48V (36 ~ 56 VDC)
- Dielectric Strength : AC 500V for 1 minute
- Insulation Resistance : Above 10M Ohms at 500 VDC
- Connection : W = Lead Wire
- Motor Protection : Reverse Polarity & Locked Rotor
- Operating Temperature : - 10 to +70°C for Sleeve Bearing
- 20 to +70°C for Ball Bearing
- Net Weight : 330 Grams



Specification

Model	Bearing	Voltage	Current	Input Power	Speed	Air Flow	Static Pressure	Noise
REC		V	A	W	RPM	CFM	mm H ₂ O	dB(A)
12038 A12 M W	Sleeve	12	0.40	4.80	2900	105	6.8	40
12038 B12 M W	Ball	12	0.40	4.80	3000	116	6.8	40
12038 A24 M W	Sleeve	24	0.20	4.80	3000	105	6.8	40
12038 B24 M W	Ball	24	0.20	4.80	3100	116	6.8	40
12038 A48 M W	Sleeve	48	0.13	6.24	3100	105	6.8	40
12038 B48 M W	Ball	48	0.13	6.24	3200	116	6.8	40



* Specifications Subject to Change Without Notice