

ADAK

Idlers

M/s. A. Adak & Co. manufacturing conveyor idlers for all sectors of industry throughout the country. Based on the experience gained, the Company offers a complete range of conveyor idler sets designed to meet all requirements with reduced initial costs and economic operation. We manufacture idlers from 400mm to 2000mm belt conveyors and handle wide range of different items like coal Iron ore and other such bulk material.

Idlers are available for belt width upto 2000mm. They can however, be designed for higher belt widths.

Adak Idlers cover carrying, Return, Self-Aligning Carrying and Return, Impact, Transition, Picking and Feeding, Self-Cleaning Return, V-type Return, Garland type Carrying and Return functions. Both sealed-for-life idlers with deep groove ball bearings, and regreasable type idlers with oneshot one-point lubrication system with taper roller bearings are available.

Sealed for life

Equipped with deep groove ball / sieze bearing covering 20 mm to 45 mm diameter. The idlers are life lubricated, Resistance arrangement of individual rollers can be provided on request.

Regreasable type

Provided with 20 mm and 30 mm diameter taper roller bearing. The design ensures complete relubrication of all six bearings from the accessible grease fitting. The prussure relief fitting at the other end ensures that the idlers are completely lubricated.

Standards

The idlers are designed as per IS-8598/ISO-1537/IPSS-2-03-004-85.

Tube

Special ERW tubes as per IS-9295 with close tolerances are used. Tubes are recessed at both ends simultaneously by special purpose machine to guarantee concentricity.

Bearing Housing

These are made from deep drawing quality steel. Housings are welded to both ends of the tube simultaneously by an automatic welding machine forming a mono-block design to ensure rigidity, lower rotating weight and minimum out-of-roundness.

Sealing

Idlers are provided with multilabyrinth, non-contacting type seals which keep dust, moisture and dirt away from the bearing. A waterproof weather cap at the roller end prevents water entering alongside the shaft. A specially designed back-seal prevents grease from entering the roller.



ADAK

Idlers

Shaft

The idlers are provided with shaft made from bright bar conforming to IS-9550. Shaft conforming to EN-8 or C-35 or C-45. The shafts are ground on a centreless grinding machine to provided finish of a very high degree for both end side.

Frame

Assembly of Idler rollers, life-sealed type, is supported on fabricated brackets on an inverted angle base board forming a truss-like construction which provides extra rigidity. The Idlers with one shot lubrication are supported on cast malleable steel / fabricated brackets, and are mounted on channel base board.



Lubrication

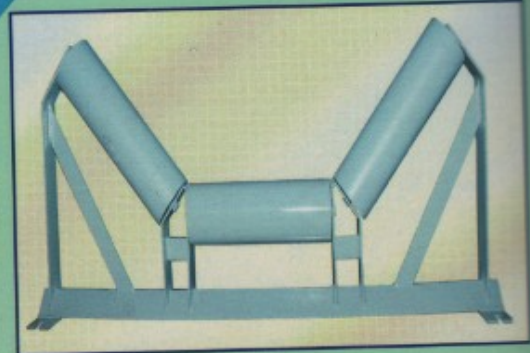
All idler rollers are lubricated with Hi-litium based grease during assembly. No subsequent lubrication is required as grease quantity is more than adequate.

Testing Facilities

All components are tested at various stages of manufacture. Idler rollers are fully tested for free running, dust and water penetration, dynamic friction factor and high speed at our works equipped with upto date testing

Rollers for existing installation

We can supply rollers to suit existing installations maintaining our standard internal construction. However over all dimensions will be as per customer's requirement.



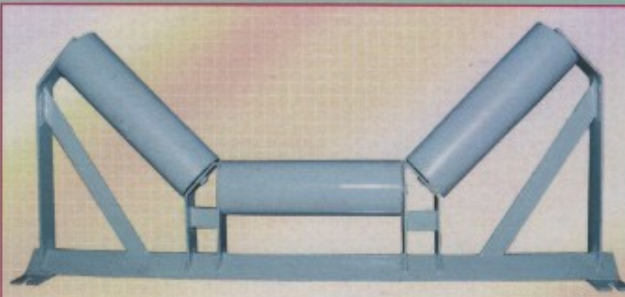
Sealed for Life Idlers

Seize Resistant/ Single Row Deep Groove Ball Bearing	Range of Belt Sizes MM	Roll O/D MM
420204/6204	400 To 1400	101.6, 114.3, 127, 139.7, 152.4
420205/6205	400 To 1400	101.6, 114.3, 127, 139.7, 152.4
420206/6206	400 To 1600	139.7, 152.4, 159, 168.3
6207	400 To 1600	139.7, 152.4, 159, 168.3
6208	800 To 2000	152.4, 159, 168.3
6209	1200 To 2000	152.4, 159, 168.3
6210	1200 To 2000	152.4, 159, 168.3

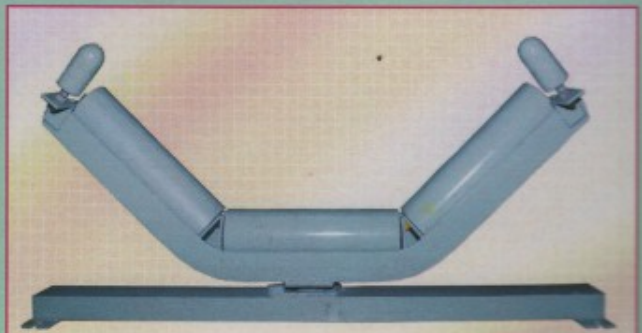
Regreasable type with taper roller bearings

Taper Roller Bearing	Range of Belt Sizes MM	Roll O/D MM
30204	400 To 1400	127
30204	400 To 1600	139.7, 152.4
30206	800 To 2000	152.4

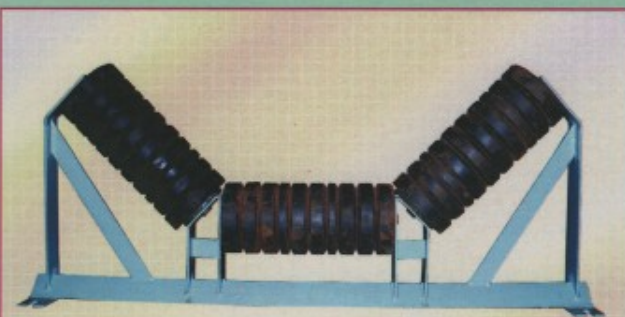
Dimension sheets of these Idlers can be furnished against orders.



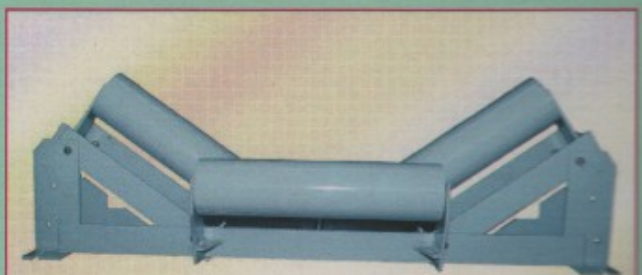
TROUGHING IDLER



TROUGHING TRAINING IDLER



IMPACT IDLER



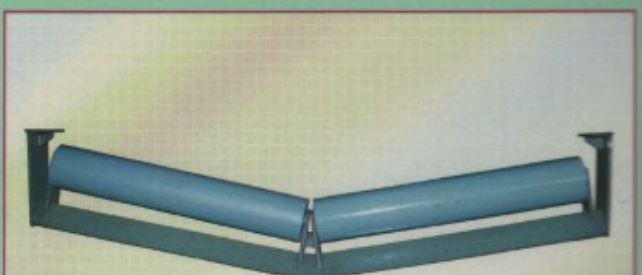
TROUGHING TRANSITION IDLER



**2 ROLL V- RETURN
FOR SHUTTLE CONVEYOR**



FLAT RETURN TRAINING IDLER



V-RETURN IDLER



FLAT RETURN IDLER



**2 ROLL V- RETURN FOR
SHUTTLE CONVEYOR**



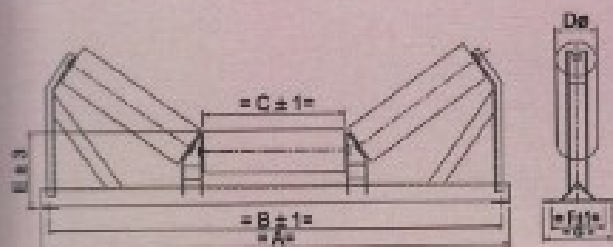
STAGGERED IDLER



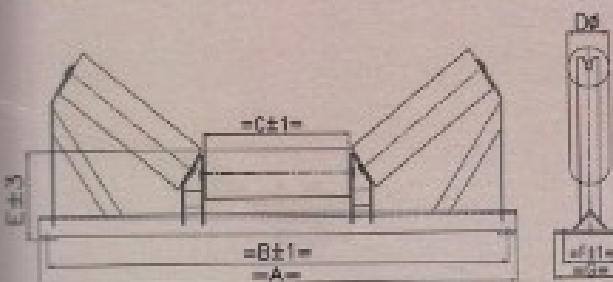
MACHINED & MACHINED WEIGHING IDLER



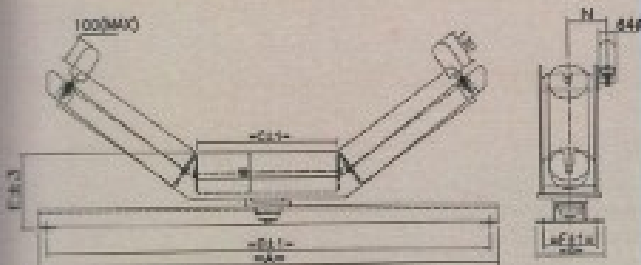
FLAT CARRYING IDLER



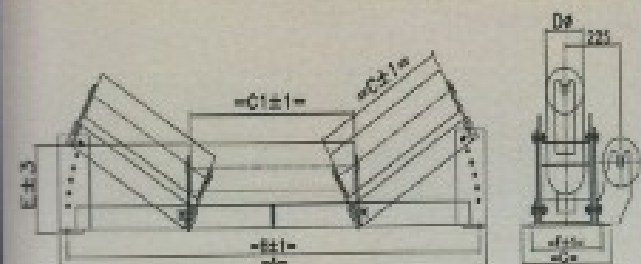
CARRYING IDLER
WITH CHANNEL TYPE END BRACKET



TROUGHING / CARRYING IDLER



TROUGHING TRAINING /
SELF ALIGNING CARRYING IDLER



TROUGHING TRANSITION IDLER
/ ADJUSTABLE TRANSITION

LIFE SEALED IDLERS WITH BALL BEARINGS

TROUGHING / CARRYING IDLER

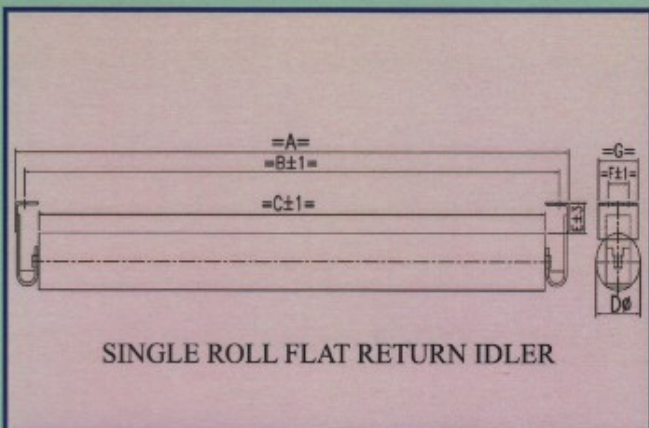
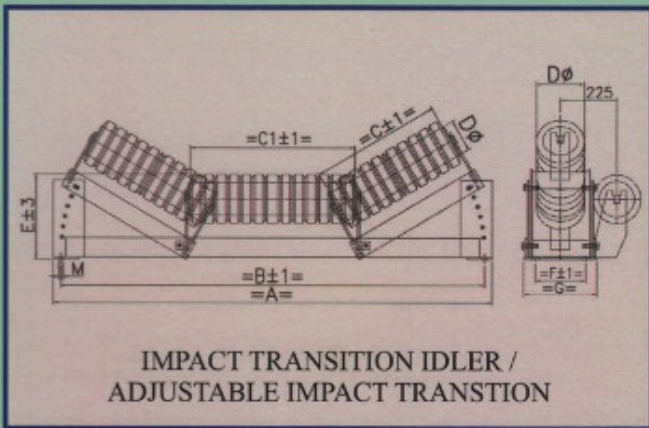
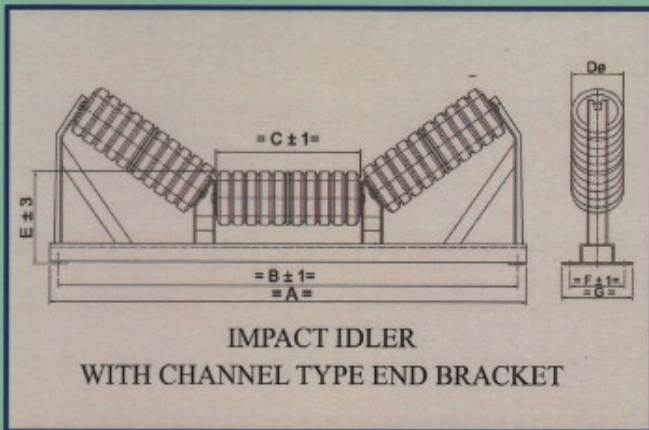
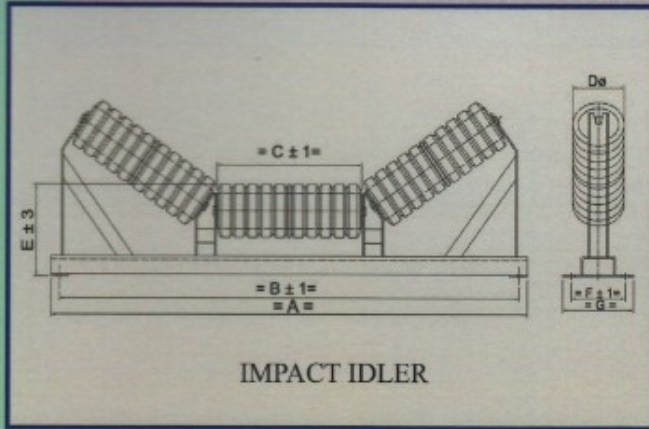
BOLT SIZE MM	Roll Dia Dø MM						E MM Dø (ROLL DIA)				
	114.3 127 139.7 152.4 159 165.3						10 20 30 40 50				
	A	B	C	F	G	20 114.3	30 127	40 139.7	50 152.4	60 159	70 165.3
500	850	790	280	200	200	225	250	275	275	275	—
600	1000	940	290	200	200	225	250	275	275	275	275
800	1150	1090	315	200	200	225	250	275	275	275	275
1000	1350	1290	360	200	200	225	250	275	275	275	275
1200	1550	1490	400	200	200	—	250	275	275	275	275
1400	1750	1690	530	200	200	—	275	275	275	275	275
1600	1950	1900	600	200	200	—	275	275	275	275	275
1800	2100	2100	670	200	200	—	275	275	275	275	275
2000	2300	2300	790	200	200	—	275	275	275	275	275

SELF ALIGNING CARRYING / TROUGHING TRAINING IDLER

BOLT SIZE MM	Roll Dia Dø MM						E MM Dø (ROLL DIA)					
	114.3 127 139.7 152.4 159 165.3						10 20 30 40 50					
	A	B	C	F	G	N	20 114.3	30 127	40 139.7	50 152.4	60 159	70 165.3
500	850	790	290	200	200	190	225	250	275	275	275	—
600	1000	940	290	200	200	190	225	250	275	275	275	275
800	1150	1090	315	200	200	190	225	250	275	275	275	275
1000	1350	1290	360	200	200	190	225	250	275	275	275	275
1200	1550	1490	405	200	200	190	—	250	275	275	275	275
1400	1750	1690	530	200	200	190	—	275	275	275	275	275
1600	1950	1900	600	200	200	190	—	275	275	275	275	275
1800	2100	2100	670	200	200	190	—	275	275	275	275	275
2000	2300	2300	790	200	200	190	—	275	275	275	275	275

TROUGHING TRANSITION / ADJUSTABLE TRANSITION IDLER

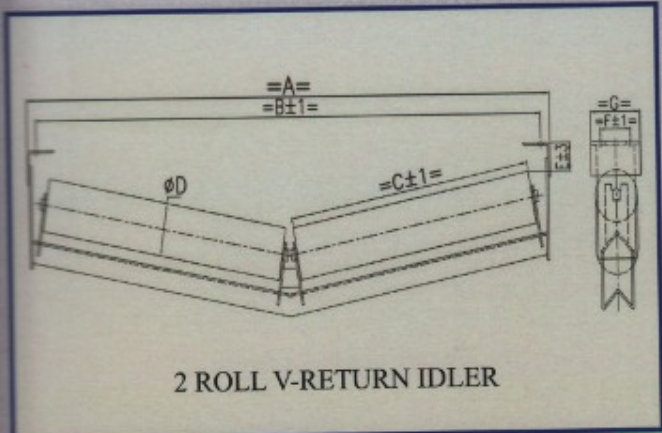
BOLT SIZE MM	Roll Dia Dø MM						E MM Dø (ROLL DIA)				
	114.3 127 139.7 152.4 159 165.3						10 20 30 40 50				
	A	B	C/C1	F	G		20 114.3	30 127	40 139.7	50 152.4	60 159
500	850	790	260/315	200	200	225	250	275	275	275	—
600	1000	940	260/400	200	200	225	250	275	275	275	275
800	1150	1090	210/400	200	200	225	250	275	275	275	275
1000	1350	1290	280/530	200	200	225	250/275	275	275	275	275
1200	1550	1490	480/600	200	200	225	250/275	275	275	275	275
1400	1750	1690	530/670	200	200	—	275	275	275	275	275
1600	1950	1900	600/700	200	200	—	275	275	275	275	275
1800	2100	2100	670/800	200	200	—	275	275	275	275	275
2000	2300	2300	750/900	200	200	—	275	275	275	275	275



IMPACT IDLER										
		(Roll Dia) DØ MM					α			
		152.4	165	190	205		10°/20°/25°/30°/35°/45°			
BELT SIZE		A	B	C	F	G	E MM DØ (ROLL DIA)			
MM							Ød 152.4	Ød 165	Ød 190	Ød 205
500	850	790	200	200	260	275/330	310	310	330	330
650	1000	940	250	200	260	275/330	275/330	310/330	330	330
800	1150	1090	315	200	260	330	330	330	330	330
1000	1350	1290	380	200	260	330	330	330	330	330
1200	1550	1490	465	200	260	330	330	330	330	330
1400	1750	1690	530	200	260	330	330	330	330	330
1600	1960	1900	600	200	260	330	330	330	330	330
1800	2160	2100	670	200	260	330	330	330	330	330
2000	2360	2300	750	200	260	330	330	330	330	330

IMPACT TRANSITION / ADJUSTABLE IMPACT TRANSITION IDLER										
		(Roll Dia) DØ MM					α			
		152.4	165	190	205		5°-45°			
BELT SIZE		A	B	C/C1	F	G	E MM DØ (ROLL DIA)			
MM							Ød 152.4	Ød 165	Ød 190	Ød 205
500	850	790	200/315	285	350	310	310	310/330	242	330
650	1000	940	250/400	285	350	310/330	310/330	330	330	330
800	1150	1090	315/465	285	350	330	330	330	330	330
1000	1350	1290	380/530	285	350	330	330	330	330	330
1200	1550	1490	465/600	285	350	330	330	330	330	330
1400	1750	1690	530/670	285	350	330	330	330	330	330
1600	1960	1900	600/750	285	350	330	330	330	330	330
1800	2160	2100	670/800	285	350	330	330	330	330	330
2000	2360	2300	750/900	285	350	330	330	330	330	330

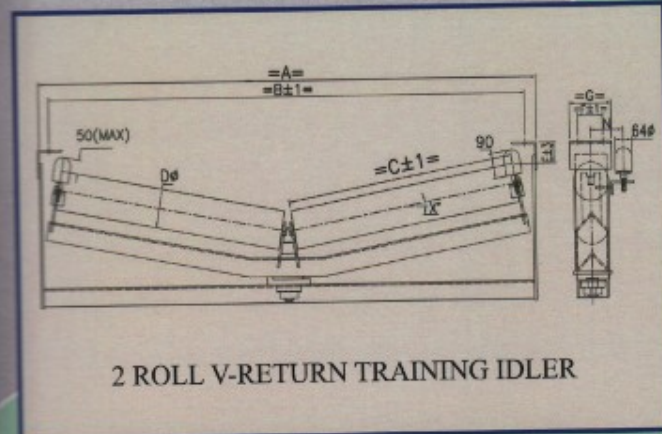
SINGLE ROLL FLAT RETURN IDLER											
		(Roll Dia) DØ MM									
		114.3	127	139.7	152.4	159	168.3				
BELT SIZE		A	B	C	F	G	E MM DØ (ROLL DIA)				
MM											
500	850	790	600	65	125	75	75	75/100	75/100	75	75
650	1000	940	750	65	125	75	75	75/100	75/100	75	75
800	1150	1090	950	65	125	75	75	75/100	75/100	75	75
1000	1350	1290	1150	65	125	75	75	75/100	75/100	75	75
1200	1550	1490	1400	65	125	75	75	75/100	75/100	75	75
1400	1750	1690	1600	65	125	75	75	75/100	75/100	75	75
1600	1960	1900	1800	65	125	75	75	75/100	75/100	75	75
1800	2160	2100	2000	65	125	75	75	75/100	75/100	75	75
2000	2360	2300	2200	65	125	75	75	75	75	75	75



2 ROLL V-RETURN IDLER

2 ROLL V-RETURN IDLER

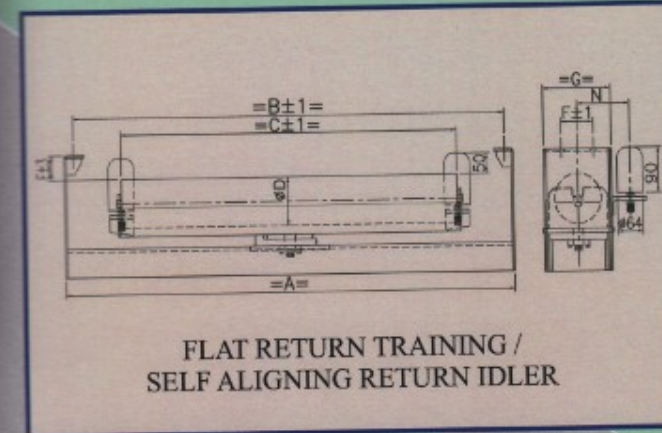
BELT SIZE MM	(Roll Dia) DØ MM						E MM DØ (ROLL DIA)				
	A	B	C	F	G	ØD 114.3	ØD 127	ØD 139.7	ØD 152.4	ØD 159	ØD 168.3
800	1150	1090	465	65	125	75	75	75/100	75/100	75	75
1000	1350	1290	600	65	125	75	75	75/100	75/100	75	75
1200	1550	1490	700	65	125	75	75	75/100	75/100	75	75
1400	1750	1690	800	65	125	75	75	75/100	75/100	75	75
1600	1960	1900	900	65	125	75	75	75/100	75/100	75	75
1800	2160	2100	1000	65	125	75	75	75/100	75/100	75	75
2000	2360	2300	1100	65	125	75	75	75/100	75/100	75	75



2 ROLL V-RETURN TRAINING IDLER

2 ROLL V-RETURN TRAINING IDLER

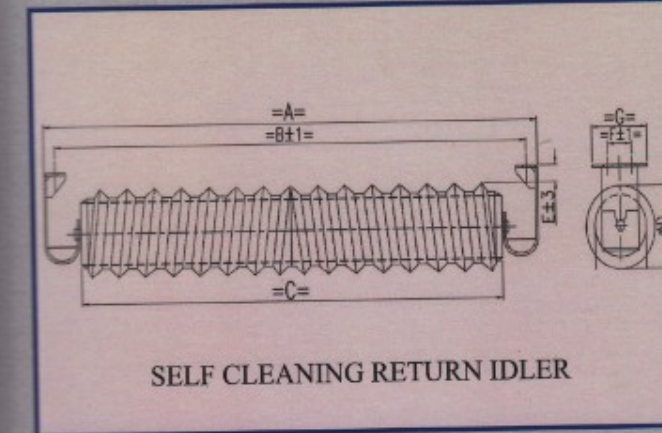
BELT SIZE MM	(Roll Dia) DØ MM						E MM DØ (ROLL DIA)					
	A	B	C	F	G	N	ØD 114.3	ØD 127	ØD 139.7	ØD 152.4	ØD 159	ØD 168.3
800	1150	1090	465	65	125	150	75	75	75	75	75	75
1000	1350	1290	600	65	125	150	75	75	75	75	75	75
1200	1550	1490	700	65	125	150	75	75	75	75	75	75
1400	1750	1690	800	65	125	150	75	75	75	75	75	75
1600	1960	1900	900	65	125	150	75	75	75	75	75	75
1800	2160	2100	1000	65	125	150	75	75	75	75	75	75
2000	2360	2300	1100	65	125	150	75	75	75	75	75	75



FLAT RETURN TRAINING / SELF ALIGNING RETURN IDLER

FLAT RETURN TRAINING / SELF ALIGNING RETURN IDLER

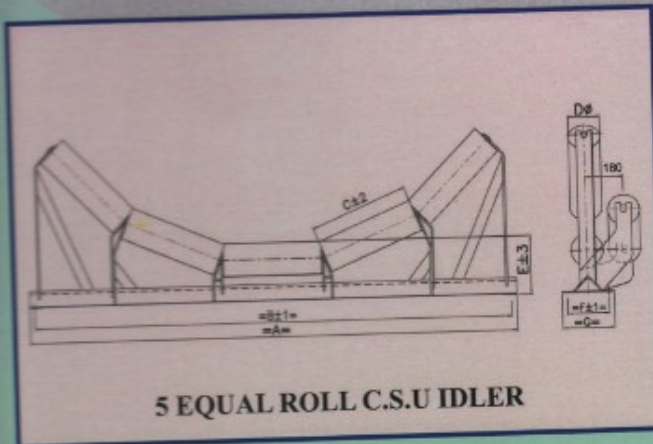
BELT SIZE MM	(Roll Dia) DØ MM						E MM DØ (ROLL DIA)					
	A	B	C	F	G	N	ØD 114.3	ØD 127	ØD 139.7	ØD 152.4	ØD 159	ØD 168.3
500	850	790	690	65	125	150	75	75	75/100	75/100	75	75
650	1000	940	750	65	125	150	75	75	75/100	75/100	75	75
800	1150	1090	950	65	125	150	75	75	75/100	75/100	75	75
1000	1350	1290	1150	65	125	150	75	75	75/100	75/100	75	75
1200	1550	1490	1400	65	125	150	75	75	75/100	75/100	75	75
1400	1750	1690	1600	65	125	150	75	75	75/100	75/100	75	75
1600	1960	1900	1800	65	125	150	75	75	75/100	75/100	75	75
1800	2160	2100	2000	65	125	150	75	75	75/100	75/100	75	75
2000	2360	2300	2200	65	125	150	75	75	75	75	75	75



SELF CLEANING RETURN IDLER

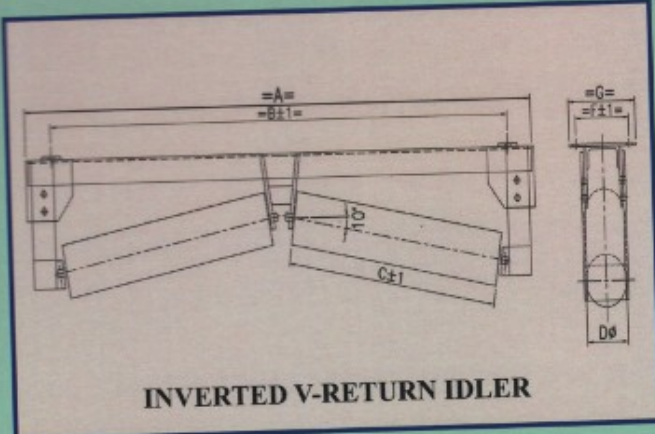
SELF CLEANING RETURN IDLER

BELT SIZE MM	(Roll Dia) DØ MM					E MM DØ (ROLL DIA)			
	A	B	C	F	G	Ød 152.4	Ød 165	Ød 190	Ød 205
500	850	790	600	65	125	75	75	75	75
650	1000	940	750	65	125	75	75	75	75
800	1150	1090	950	65	125	75	75	75	75
1000	1350	1290	1150	65	125	75	75	75	75
1200	1550	1490	1400	65	125	75	75	75	75
1400	1750	1690	1600	65	125	75	75	75	75
1600	1960	1900	1800	65	125	75	75	75	75
1800	2160	2100	2000	65	125	75	75	75	75
2000	2360	2300	2200	65	125	75	75	75	75



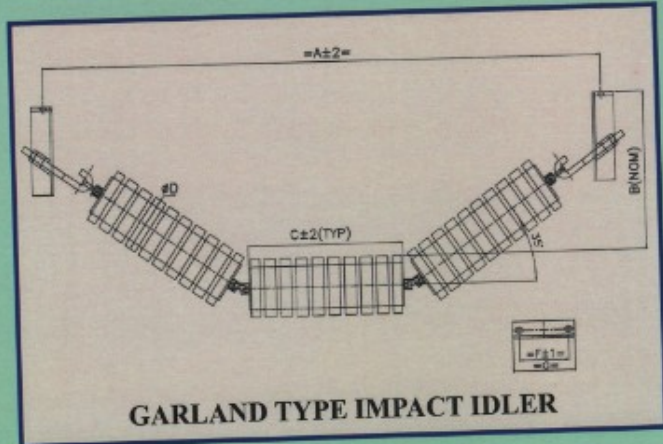
5 EQUAL ROLL C.S.U IDLER

		(Roll Dia) DØ MM										α	
		114.3	127	139.7	152.4	159	168.3					17°/35°/45°	
BELT SIZE		A	B	C	F	G							
MM							DØ 114.3	DØ 127	DØ 139.7	DØ 152.4	DØ 159	DØ 168.3	
500		850	790	200	200	260	210	260	275	275	275	---	
650		1000	940	250	200	260	210	260	275	275	275	275	
800		1150	1090	315	200	260	210	260	275	275	275	275	
1000		1350	1290	380	200	260	210	260	275	275	275	275	
1200		1550	1490	465	200	260	210	260/275	275	275	275	275	
1400		1750	1690	530	200	260	---	275	275	275	275	275	
1600		1960	1900	600	200	260	---	275	275	275	275	275	
1800		2160	2100	670	200	260	---	275	275	275	275	275	
2000		2360	2300	750	200	260	---	275	275	275	275	275	



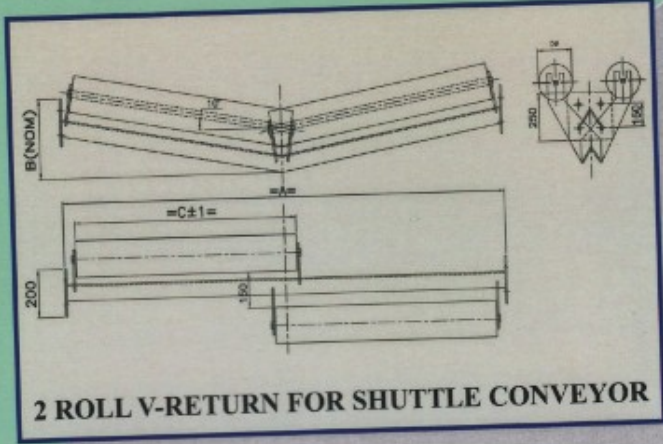
INVERTED V-RETURN IDLER

		(Roll Dia) DØ MM					α	
		114.3	127	139.7	152.4	159	168.3	10°/15°
BELT SIZE		A	B	C	F	G		
MM								
800		1150	1090	465	200	260		
1000		1350	1290	600	200	260		
1200		1550	1490	700	200	260		
1400		1750	1690	800	200	260		
1600		1960	1900	900	200	260		
1800		2160	2100	1000	200	260		
2000		2360	2300	1100	200	260		



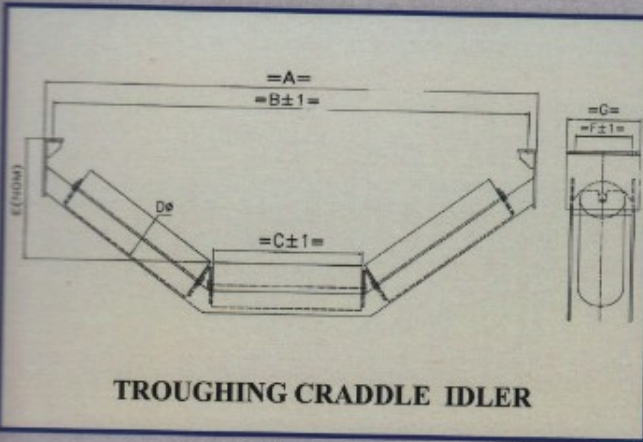
GARLAND TYPE IMPACT IDLER

		(Roll Dia) DØ MM				α
		152.4	165	190	205	30°/35°/45°
BELT SIZE		A	C	F	G	
MM						
500		790	200	200	260	B Dimension as per Client requirement
650		940	250	200	260	B Dimension as per Client requirement
800		1090	315	200	260	B Dimension as per Client requirement
1000		1290	380	200	260	B Dimension as per Client requirement
1200		1490	465	200	260	B Dimension as per Client requirement
1400		1690	530	200	260	B Dimension as per Client requirement
1600		1900	600	200	260	B Dimension as per Client requirement
1800		2100	670	200	260	B Dimension as per Client requirement
2000		2300	750	200	260	B Dimension as per Client requirement



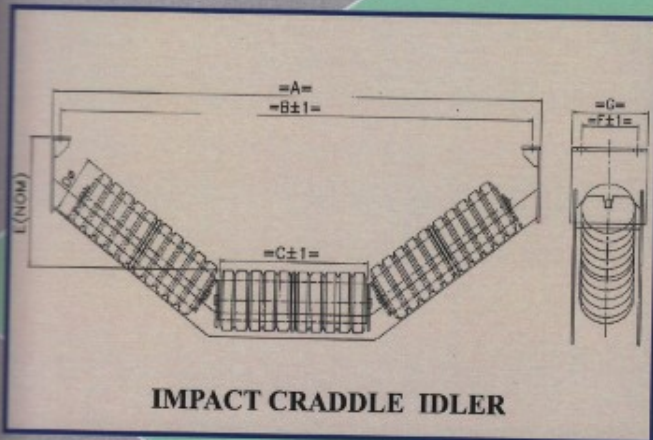
2 ROLL V-RETURN FOR SHUTTLE CONVEYOR

		(Roll Dia) DØ MM					α
		114.3	127	139.7	152.4	159	168.3
BELT SIZE		A	C				(B-NOM)
MM							
800		1090	465				B Dimension as per Client requirement
1000		1290	600				B Dimension as per Client requirement
1200		1490	700				B Dimension as per Client requirement
1400		1690	800				B Dimension as per Client requirement
1600		1900	900				B Dimension as per Client requirement
1800		2100	1000				B Dimension as per Client requirement
2000		2300	1100				B Dimension as per Client requirement



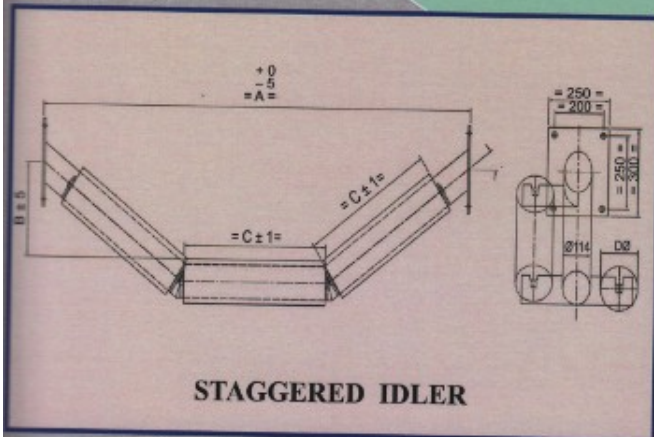
TROUGHING CRADDLE IDLER

TROGGING CRADDLE IDLER							
(Roll Dia) DØ MM							α
							35°/45°
BELT SIZE	A	B	C	F	G	E MM	
MM							
500	850	790	200	200	260	E Dimension as per Client requirement	
650	1000	940	250	200	260	E Dimension as per Client requirement	
800	1150	1090	315	200	260	E Dimension as per Client requirement	
1000	1350	1290	380	200	260	E Dimension as per Client requirement	
1200	1550	1490	465	200	260	E Dimension as per Client requirement	
1400	1750	1690	530	200	260	E Dimension as per Client requirement	
1600	1960	1900	600	200	260	E Dimension as per Client requirement	
1800	2160	2100	670	200	260	E Dimension as per Client requirement	
2000	2360	2300	750	200	260	E Dimension as per Client requirement	



IMPACT CRADDLE IDLER

IMPACT CRADDLE IDLER							
(Roll Dia) DØ MM							α
							35°/45°
BELT SIZE	A	B	C	F	G	E MM	
MM							
500	850	790	200	200	260	E Dimension as per Client requirement	
650	1000	940	250	200	260	E Dimension as per Client requirement	
800	1150	1090	315	200	260	E Dimension as per Client requirement	
1000	1350	1290	380	200	260	E Dimension as per Client requirement	
1200	1550	1490	465	200	260	E Dimension as per Client requirement	
1400	1750	1690	530	200	260	E Dimension as per Client requirement	
1600	1960	1900	600	200	260	E Dimension as per Client requirement	
1800	2160	2100	670	200	260	E Dimension as per Client requirement	
2000	2360	2300	750	200	260	E Dimension as per Client requirement	



STAGGERED IDLER

STAGGERED IDLER							
(Roll Dia) DØ MM							α
							35°/45°
BELT SIZE	A	C/C1	B MM				
MM							
650	940	250/400	B Dimension as per Client requirement				
800	1090	315/465	B Dimension as per Client requirement				
1000	1290	380/530	B Dimension as per Client requirement				
1200	1490	465/600	B Dimension as per Client requirement				
1400	1690	530/670	B Dimension as per Client requirement				
1600	1900	600/750	B Dimension as per Client requirement				
1800	2100	670/800	B Dimension as per Client requirement				
2000	2300	750/900	B Dimension as per Client requirement				

OTHER PRODUCTS



PULLEY



PLUMMER BLOCK

WE MANUFACTURE PULLEY AS PER REQUIREMENT OF CUSTOMER

MISCELLANEOUS PRODUCTS



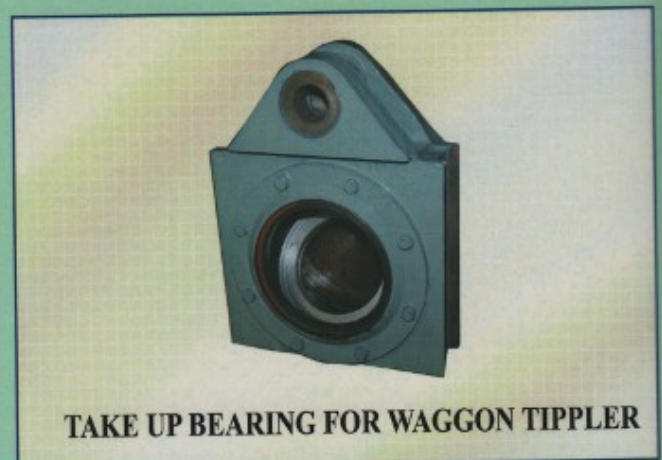
VIBRATOR SHEAVE



CRUSHER SHEAVE

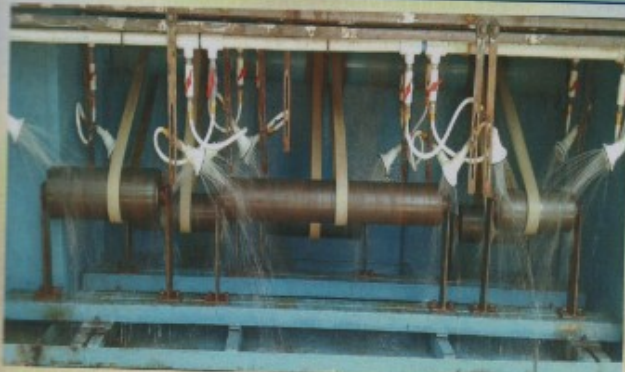


CRADLE BEARING FOR WAGGON TIPPLER



TAKE UP BEARING FOR WAGGON TIPPLER

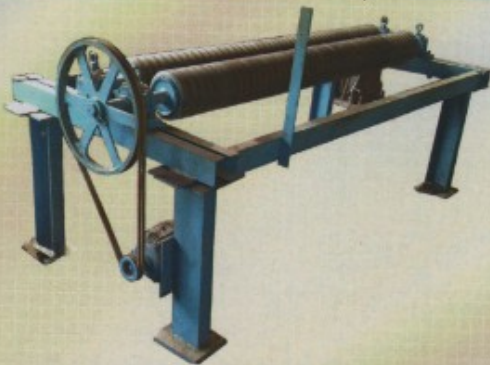
TESTING EQUIPMENTS



WATER PENETRATION TESTING UNIT



DUST PENETRATION TESTING UNIT



FRICTION FACTOR TESTING UNIT



TESTING UNIT OF PULLEY BALANCING



HYDRAULIC MACHINE FOR PULLEY HUB FITTING



100 TON HYDRAULIC PRESS



150 TON POWER PRESS



SHAPING MACHINE



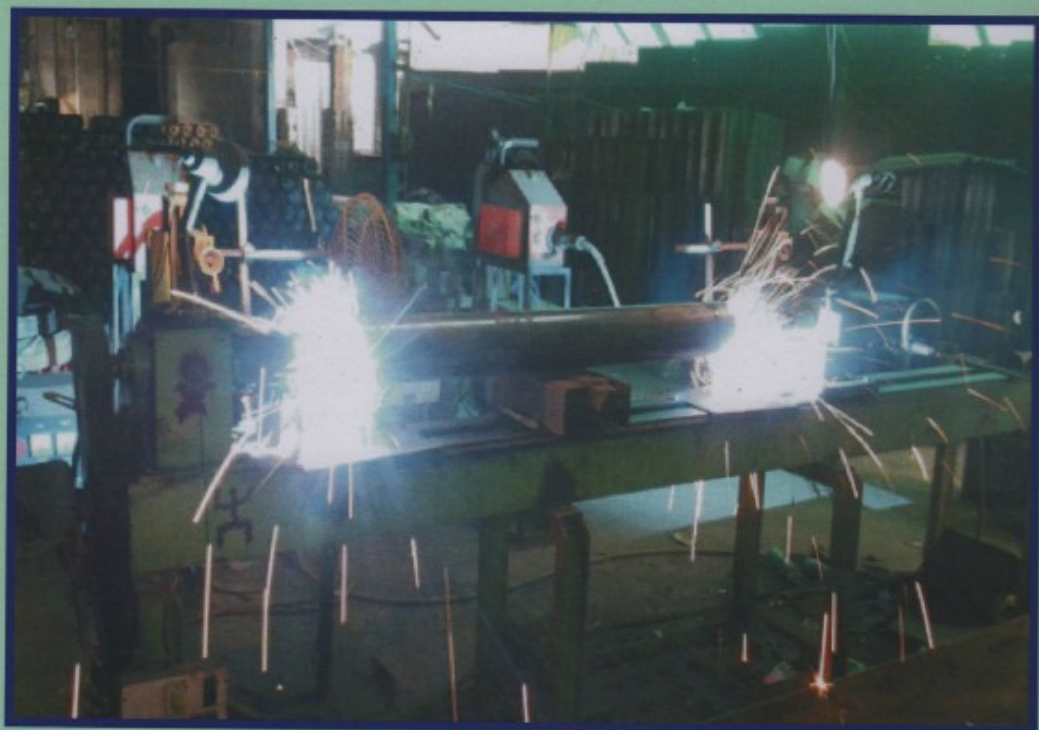
BORING MACHINE



MOTOR SHEAVE UNDER MACHINING

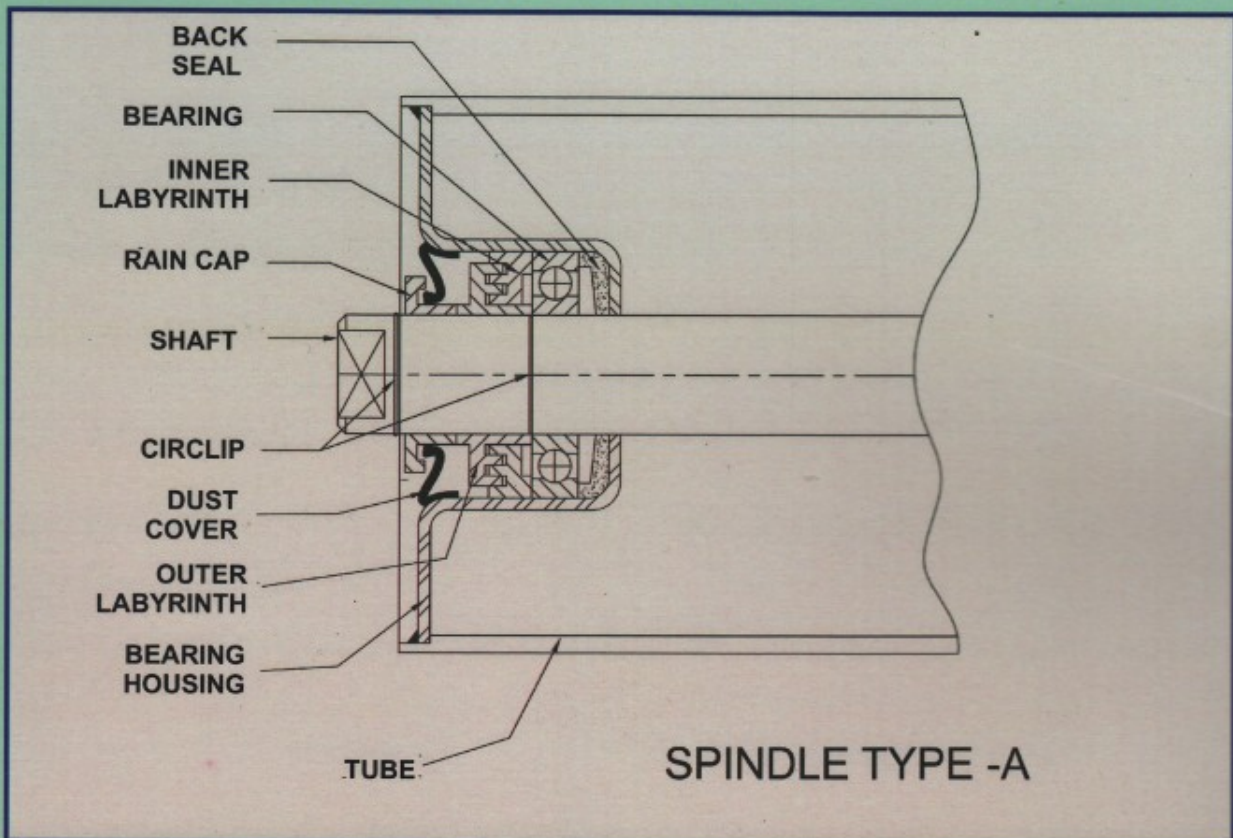


DOUBLE ENDED RECESSING MACHINE



DOUBLE ENDED WELDING MACHINE

INTERNAL CONSTRUCTION OF LIFE SEALED ROLLERS



INTERNAL CONSTRUCTION OF ROLLERS WITH IMPACT DISE

