

 FONUS GERMANY



# HARDWARE



 <sup>TM</sup>  
**PEACOCK**  
HARDWARE

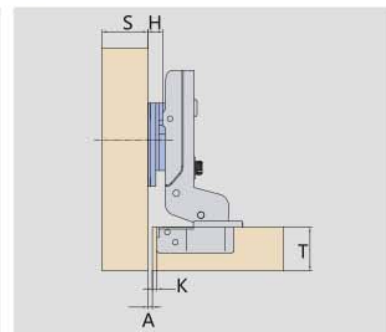
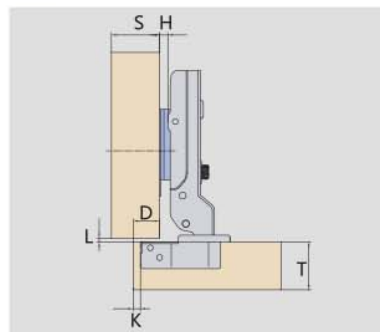
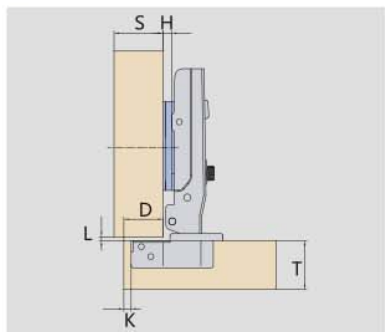
**CLIP ON SOFT CLOSE HINGES**



**PRODUCT DESCRIPTION**

Opening degree	100°
Thickness of hinge cup	10.8mm
Diameter of hinge cup	35mm
Dimension of door(K)	3-6mm
Range of door thickness	14-20mm
Material / Plating	Cold roll steel with Ni plating

**TECHNICAL INFORMATION**



D	H	K	3	4	5	6	7
0	17	18	19	20	21		
2	15	16	17	18	19		
4	13	14	15	16	17		

D	H	K	3	4	5	6	7
0	8	9	10	11	12		
2	6	7	8	9	10		
4	4	5	6	7	8		

A	H	K	3	4	5	6	7
0	1	0	-1	-2	-3		
2	3	2	1	0	-1		
4	5	4	3	2	1		

Item No	<b>POSC 00</b>
Height of plate	H=14+K-D

Item No	<b>POSC 08</b>
Height of plate	H=5+K-D

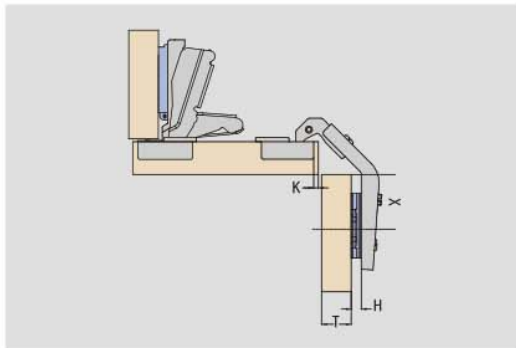
Item No	<b>POSC 15</b>
Height of plate	H=-4+K+A



CLIP ON HINGES WITH ANGLE

**PRODUCT DESCRIPTION**

Opening degree	110°
Thickness of hinge cup	11.2mm
Diameter of hinge cup	35mm
Dimension of door(K)	3-6mm
Range of door thickness	14-20mm
Material / Plating	Cold roll steel with Ni plating



	<18mm Door thickness	22mm> / >18mm Door thickness
H	2mm	0mm
X	37mm	37mm

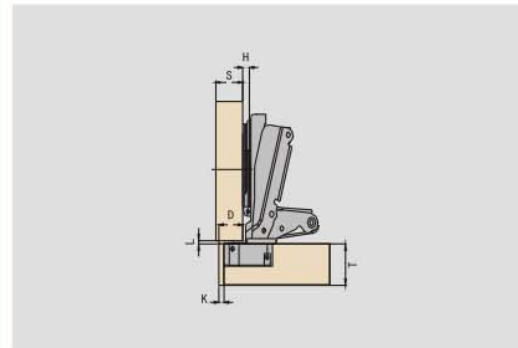
Item No	POAH 135
Height of plate	H=2 22mm>T>=18mm



CLIP ON HINGES

**PRODUCT DESCRIPTION**

Opening degree	165°
Thickness of hinge cup	12mm
Diameter of hinge cup	35mm
Dimension of door(K)	3-7mm
Range of door thickness	14-26mm
Material / Plating	Cold roll steel with Ni plating



D	H	K	3	4	5	6	7
0	16	17	18	19	20		
2	14	15	16	17	18		
4	12	13	14	15	16		

Item No	POAH 00
Height of plate	H=-4+K+A

**BALL BEARING SLIDES**



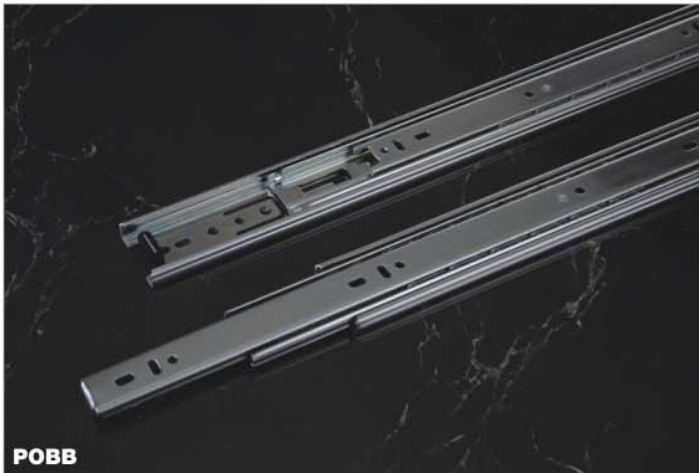
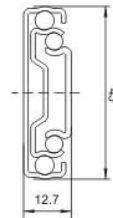
**POSC**

**SOFT CLOSING BALL BEARING SLIDE**

POSCS	10	12	14	16	18	20	22	24
LENGTH	250	300	350	400	450	500	550	600
TRAVEL	250	300	350	400	450	500	550	600

**FEATURES**

- Full Extension Soft Closing, Disconnectable
- Slide Wide : 45mm
- Load Rating : 45kg/pr
- Material : Work Hardened Cold Rolled Steel
- Finish : Zinc Plating
- Thickness of material (o/m/l)
- Part : 1.2 x 1.2 x 1.4mm



**POBB**

**BALL BEARING SLIDE**

POBBS	08	10	12	14	16	18	20	22	24
LENGTH	200	250	300	350	400	450	500	550	600
TRAVEL	200	250	300	350	400	450	500	550	600

**FEATURES**

- Load Rating : 45kg/per Pari at 18" Slide Length
- Material : Work Hardened Cold Rolled Steel
- Finish : Zinc Plating
- Thickness of material (o/m/l)
- Part : 1.2 x 1.2 x 1.4mm

