


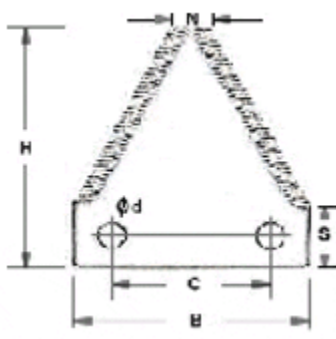
SUGAVI is one of the reputed manufactures and suppliers of Agricultural Blades/Knife such as Combine Harvester Blades, GDR Harvester Blades, Straw Reaper Blades, Thresher Blades and many more. All SUGAVI products are manufactured according to ISO 9001:2015. Our precise range is widely acclaimed for its unique features like efficient performance, corrosion resistance, durability and sturdiness.

Our manufacturing unit is well equipped with technological advanced machineries that help us in manufacturing accurate range of agriculture products. With the support of our proficient workforce, we have been able to cater our assortment to various clients based globally. We are prominent manufacturer & supplier of excellent quality agriculture implements. Our products are widely acclaimed for its attributes like efficient performance, wear & tear resistance, durability and sturdiness.

PRODUCTS DESCRIPTION:

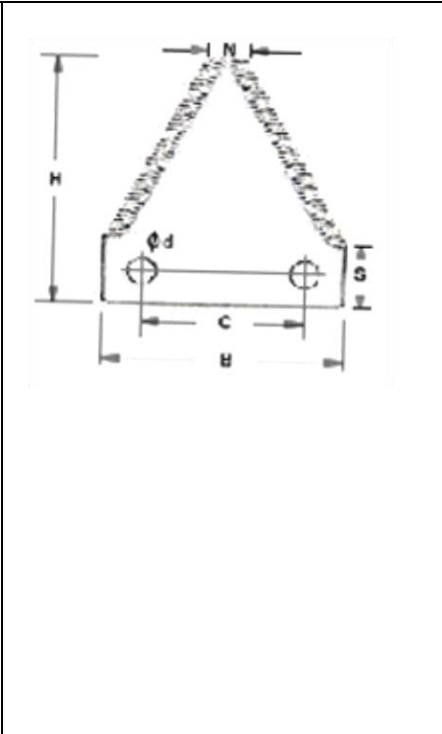
KNIFE SECTION FOR COMBINE HARVESTER

DRAWING AND SPECIFICATION

		<table border="1"> <thead> <tr> <th>H</th> <th>C</th> <th>N</th> <th>D</th> <th>S</th> <th>T</th> </tr> </thead> <tbody> <tr><td>83</td><td>51.5</td><td>14.5</td><td>6.5</td><td>28</td><td>2</td></tr> <tr><td>83</td><td>51.5</td><td>14.5</td><td>6.5</td><td>28</td><td>3</td></tr> <tr><td>83</td><td>51.5</td><td>14.5</td><td>10</td><td>28</td><td>3</td></tr> <tr><td>75</td><td>50.8</td><td>14.5</td><td>5.5</td><td>20</td><td>2</td></tr> <tr><td>75</td><td>51.5</td><td>14.5</td><td>6.5</td><td>20</td><td>2</td></tr> <tr><td>75</td><td>50.8</td><td>32</td><td>5.5</td><td>20</td><td>2</td></tr> <tr><td>75</td><td>46</td><td>32</td><td>6.35</td><td>20</td><td>2</td></tr> <tr><td>83</td><td>21</td><td>14.5</td><td>6.5</td><td>28</td><td>3</td></tr> <tr><td>70</td><td>52.4</td><td>14.5</td><td>5.5</td><td>28.5</td><td>2.75</td></tr> <tr><td>70</td><td>22.2</td><td>6.3</td><td>5.5</td><td>28.5</td><td>2.75</td></tr> <tr><td>69</td><td>31.7</td><td>5</td><td>5.5</td><td>22.7</td><td>3.5</td></tr> <tr><td>62</td><td>47</td><td>18.5</td><td>5.5</td><td>--</td><td>3</td></tr> <tr><td>63.5</td><td>47.5</td><td>17</td><td>5.7</td><td>9</td><td>2.5</td></tr> <tr><td>61</td><td>41.2</td><td>19</td><td>5.5</td><td>8</td><td>3</td></tr> </tbody> </table>	H	C	N	D	S	T	83	51.5	14.5	6.5	28	2	83	51.5	14.5	6.5	28	3	83	51.5	14.5	10	28	3	75	50.8	14.5	5.5	20	2	75	51.5	14.5	6.5	20	2	75	50.8	32	5.5	20	2	75	46	32	6.35	20	2	83	21	14.5	6.5	28	3	70	52.4	14.5	5.5	28.5	2.75	70	22.2	6.3	5.5	28.5	2.75	69	31.7	5	5.5	22.7	3.5	62	47	18.5	5.5	--	3	63.5	47.5	17	5.7	9	2.5	61	41.2	19	5.5	8	3
H	C	N	D	S	T																																																																																							
83	51.5	14.5	6.5	28	2																																																																																							
83	51.5	14.5	6.5	28	3																																																																																							
83	51.5	14.5	10	28	3																																																																																							
75	50.8	14.5	5.5	20	2																																																																																							
75	51.5	14.5	6.5	20	2																																																																																							
75	50.8	32	5.5	20	2																																																																																							
75	46	32	6.35	20	2																																																																																							
83	21	14.5	6.5	28	3																																																																																							
70	52.4	14.5	5.5	28.5	2.75																																																																																							
70	22.2	6.3	5.5	28.5	2.75																																																																																							
69	31.7	5	5.5	22.7	3.5																																																																																							
62	47	18.5	5.5	--	3																																																																																							
63.5	47.5	17	5.7	9	2.5																																																																																							
61	41.2	19	5.5	8	3																																																																																							

KNIFE SECTION FOR STRAW REAPER


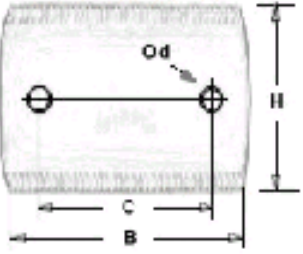
DRAWING AND SPECIFICATION



H	C	N	D	S	T
61	51.5	41	10	25	2

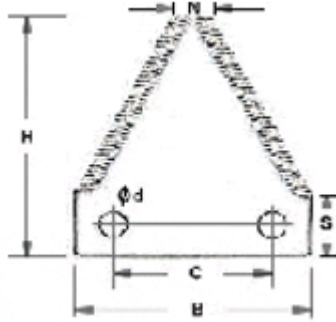
KNIFE SECTION FOR THRESHER

DRAWING AND SPECIFICATION

		<table border="1"><thead><tr><th>H</th><th>C</th><th>N</th><th>D</th><th>S</th><th>T</th></tr></thead><tbody><tr><td>55</td><td>51.5</td><td>--</td><td>6.5</td><td>--</td><td>2</td></tr><tr><td>55</td><td>51.5</td><td>--</td><td>8</td><td>--</td><td>2</td></tr><tr><td>55</td><td>51.5</td><td>--</td><td>7.8</td><td>--</td><td>2</td></tr></tbody></table>	H	C	N	D	S	T	55	51.5	--	6.5	--	2	55	51.5	--	8	--	2	55	51.5	--	7.8	--	2
H	C	N	D	S	T																					
55	51.5	--	6.5	--	2																					
55	51.5	--	8	--	2																					
55	51.5	--	7.8	--	2																					

KNIFE SECTION FOR GDR HARVESTER MACHINES


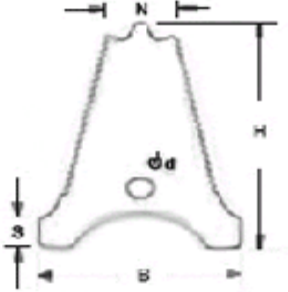
DRAWING AND SPECIFICATION



H	C	N	D	S	T
83	51.5	14.5	6.5	28	2
83	51.5	14.5	6.5	28	3
83	51.5	14.5	10	28	3
75	50.8	14.5	5.5	20	2
75	51.5	14.5	6.5	20	2
75	50.8	32	5.5	20	2
75	46	32	6.35	20	2
83	21	14.5	6.5	28	3
70	52.4	14.5	5.5	28.5	2.75
70	22.2	6.3	5.5	28.5	2.75
69	31.7	5	5.5	22.7	3.5
62	47	18.5	5.5	--	3
63.5	47.5	17	5.7	9	2.5
61	41.2	19	5.5	8	3

LEDGER PLATES

DRAWING AND SPECIFICATION

		<table border="1"><thead><tr><th>B</th><th>H</th><th>C</th><th>N</th><th>D</th><th>S</th><th>T</th></tr></thead><tbody><tr><td>51</td><td>64</td><td>--</td><td>3</td><td>5.5</td><td>8</td><td>3</td></tr><tr><td>50</td><td>63</td><td>--</td><td>3</td><td>5.7</td><td>9</td><td>2.5</td></tr></tbody></table>	B	H	C	N	D	S	T	51	64	--	3	5.5	8	3	50	63	--	3	5.7	9	2.5
B	H	C	N	D	S	T																	
51	64	--	3	5.5	8	3																	
50	63	--	3	5.7	9	2.5																	