

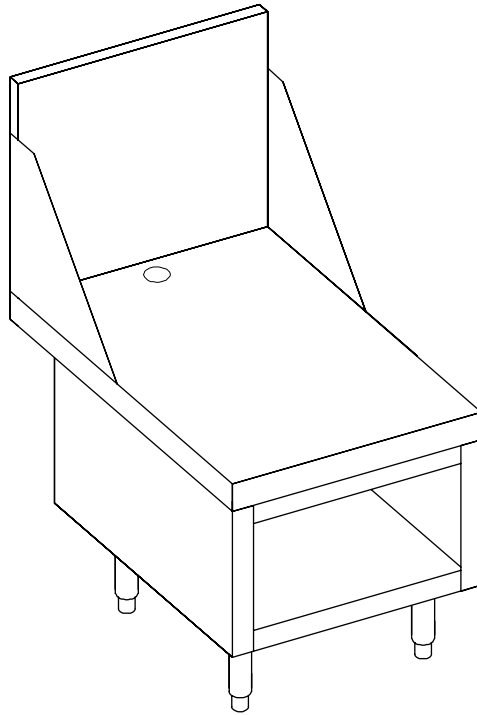
EQUIPMENT STAND

Perlick Features

- Convenient working height for shaved ice blending machines.
- Ample storage for supplies.
- Integral side splashes.
- Power cord access hole in cabinet top.
- Heavy duty construction.

MODEL NOS.

- ES18
- ES24



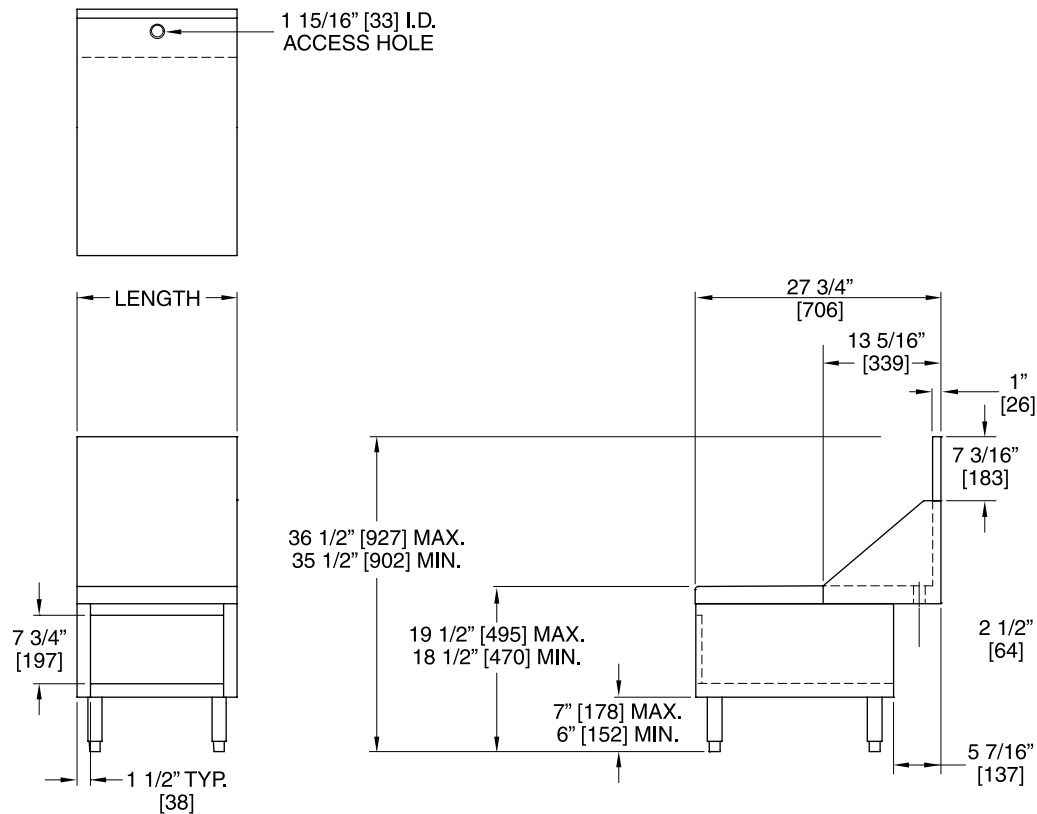
8300 West Good Hope Road • Milwaukee, WI 53223 • Phone 414-353-7060 • Fax 414-353-7069
Toll Free 800-558-5592 • E-Mail: Perlick@Perlick.com • www.Perlick.com

Form No. MM03
Rev. 03.30.05

Sizes and Specifications Equipment Stand

Job _____
 Area _____
 Item No. _____
 Model No. _____

| MODEL NOS. | ES18 | ES24 |
|-------------------------|--|-----------|
| LENGTH INS. (mm) | 18" (457) | 24" (610) |
| SHIP WT lbs. (kg) | 45 (20) | 65 (30) |
| FRONT, SIDES & INTERIOR | Stainless steel. | |
| BACKSPLASH | General: Stainless steel with 1" return at top, mechanically fastened and sealed with steel support brackets. | |
| TOP | Stainless steel, 26 ³ / ₄ " deep front to back. Underside reinforced with welded brackets. | |
| LEGS | 1 ⁵ / ₈ " tubular, stainless steel with 1" adjustable stainless steel foot. | |



8300 West Good Hope Road • Milwaukee, WI 53223 • Phone 414-353-7060 • Fax 414-353-7069
 Toll Free 800-558-5592 • E-Mail: Perlick@Perlick.com • www.Perlick.com

Perlick is committed to continuous improvement.
 Therefore, we reserve the right to change specifications without prior notice.

Form No. MM03
 Rev. 03.30.05