



**REFRIGERATED CABINETS**  
**SELF-CONTAINED DUAL-ZONE BACK BAR REFRIGERATORS**



*DZS60 shown with optional drawers and full extension wine shelvers*



JOB	
AREA	
ITEM NO.	
MODEL NO.	
<b>DZS60</b>	2-Door Model
<b>DZS36</b>	1-Door Model



*DZS36 shown*

MODEL NUMBERS		DZS36	DZS60
<b>NUMBER OF DOORS</b>		1	2
<b>EXTERIOR CABINET DIMENSIONS</b>	<b>Length - in. (mm)</b>	36 (914)	60 (813)
	<b>Depth - in. (mm)</b>	24.75 (629)	24.75 (629)
	<b>Height - in. (mm)</b>	34.565 (878)	34.565 (878)
<b>INTERIOR CABINET DIMENSIONS</b>	<b>Length - in. (mm)</b>	20 (508)	44 (1118)
	<b>Depth - in. (mm)</b>	18.75 (476)	18.75 (476)
	<b>Height - in. (mm)</b>	28.5 (724)	28.5 (724)
<b>INTERNAL VOLUME, Net. Cu. Ft. (liters)</b>		7.1 (201)	15.0 (425)
<b>SHIPPING WEIGHT, Lbs. (kg.)</b>		305 (138)	380 (172)
<b>ELECTRICAL SPECIFICATIONS</b>	<b>Electrical Supply</b>	120 VAC/60 Hz/1 Ph	120 VAC/60 Hz/1 Ph
	<b>Running Load Amps</b>	3.2	5.5
	<b>Electrical Connection</b>	Cord Connected	Cord Connected
	<b>Cord Plug Type</b>	NEMA 5-15	NEMA 5-15
	<b>Cord Length</b>	8'	8'
	<b>Defrost Initiation</b>	Automatic	Automatic
	<b>Defrost Type</b>	Off Cycle	Off Cycle
	<b>Thermostat</b>	Digital Control	Digital Control
<b>REFRIGERATION SPECIFICATIONS</b>	<b>Lighting Type</b>	None	LED
	<b>Horsepower</b>	1/5	1/4
	<b>Refrigerant</b>	R134a	R134a
	<b>Refrigerant Charge</b>	6.5	7.0
	<b>Factory Temperature Setting - Refrigerator</b>	36F (3.3C)	36F (3.3C)
	<b>Temperature Range - Refrigerator</b>	34-42F (1.1-5.6C)	34-42F (1.1-5.6C)
	<b>Factory Temperature Setting - White Wine</b>	45F (7.2C)	45F (7.2C)
	<b>Factory Temperature Setting - Red Wine</b>	60F (15.6C)	60F (15.6C)
	<b>Temperature Range - Wine</b>	40-65F (4.4-18.3C)	44-65F (6.7-18.3C)
	<b>Condensing Unit Location</b>	Left or Right	Left or Right
	<b>Expansion Device</b>	Capillary Tube	Capillary Tube
	<b>Pull-Out Condensing Unit</b>	Yes	Yes
<b>Front Vented</b>	Yes	Yes	
<b>PLUMBING</b>	<b>Floor Drain Included</b>	No	Yes
	<b>Evaporator Condensate</b>	Automatically	Automatically

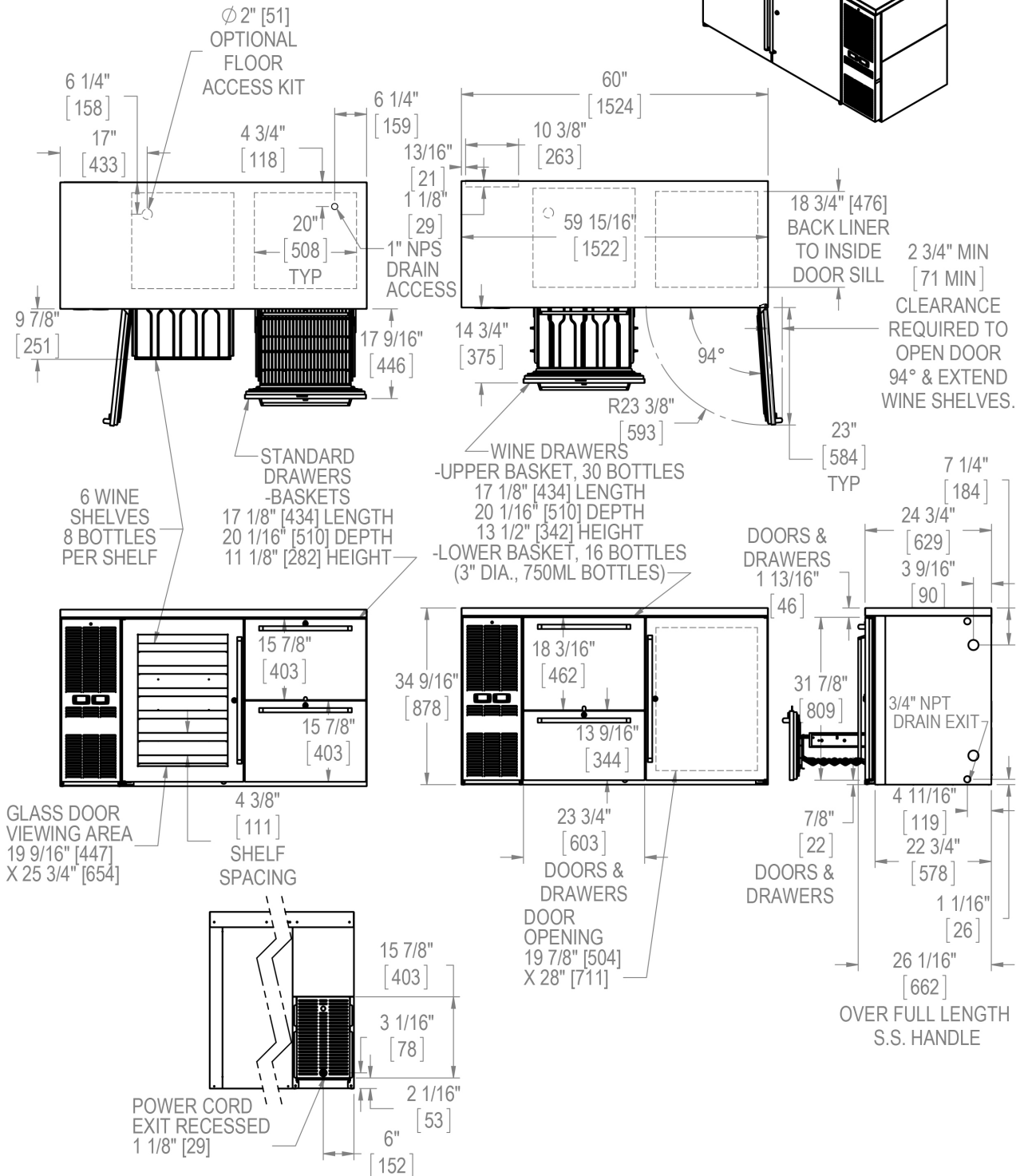
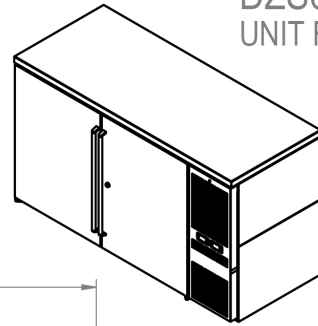
*\* These models are for storing non-potentially hazardous bottles and canned product only.*



**REFRIGERATED CABINETS**  
**SELF-CONTAINED DUAL-ZONE BACK BAR REFRIGERATORS**

**60" DUAL ZONE**

DZS60  
UNIT RIGHT

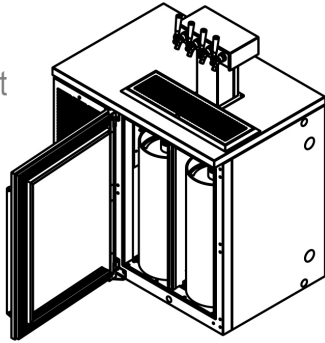




**REFRIGERATED CABINETS**  
**SELF-CONTAINED DUAL-ZONE BACK BAR REFRIGERATORS**

**36" DUAL ZONE**

**DZS36**  
UNIT LEFT  
with 4 faucet  
Tee Tower.



**DZS36**  
UNIT RIGHT  
with (2) 2 faucet  
Draft Arms.

