

Pranav Imports & Exports^(M) (+91)9558935500

(+91)9033851380

pranavimportsandexports@gmail.com

Pranav Imports & Exports offer experience, expertise & specialized services in export, trading, civil work, solar green energy work and mechanical works.



The capability of Pranav Imports & Exports

We have specialist professionals with expertise, qualifications and experience. We look to it that our work is been completed with quality and proper techniques.

Pranav Imports & Exports are therefore secure in the knowledge that “Excellent Attitude & Performance Lead to Quality”.

List of our services

- Export & Import
- Trading
- Solar green energy
- Mechanical work
- Civil work
- Mechanical Inspection



Pranav Imports & Exports^(M) (+91)9558935500

(+91)9033851380

pranavimportsandexports@gmail.com

Our services



Import & Export

We have been in exporting and importing of all kind of goods such as, mechanical goods, industrial goods, construction materials, food products and heavy machinery.



Trading

We trade in hydrated lime, calcium carbonate, limestone lumps, quick lime, agriculture lime, quartz metal, gypsum, cooper slug, silicon deformer, anti-foamier, dolomite, bentonite, silica sand and depends on requirement

Pranav Imports & Exports^(M) (+91)9558935500

(+91)9033851380

pranavimportsandexports@gmail.com



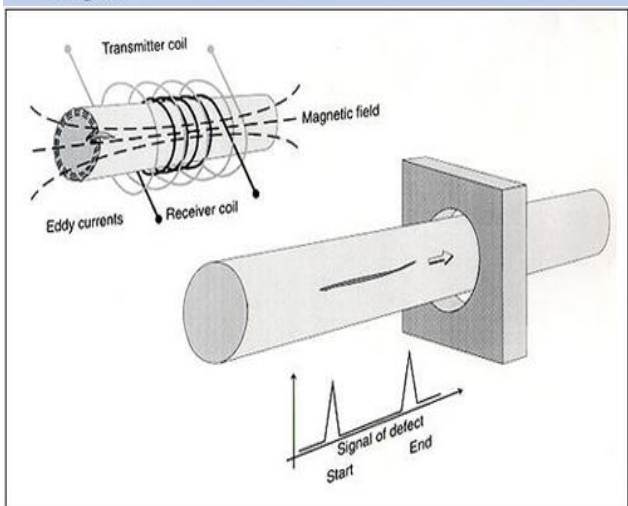
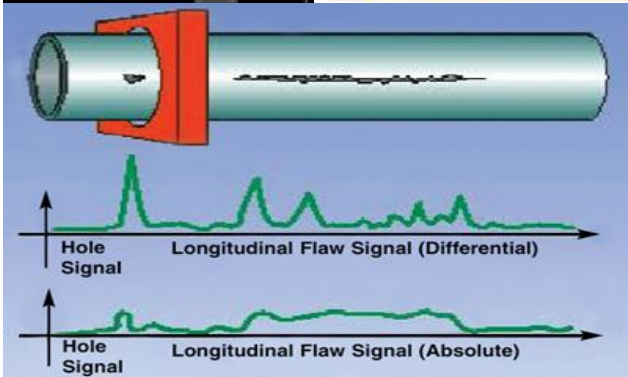
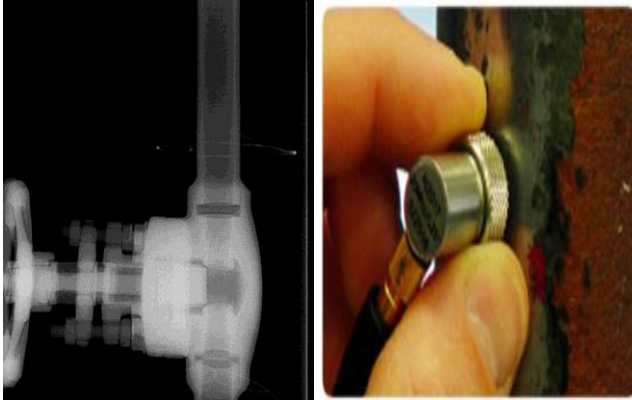
Solar Green Energy

We sell and service all types of solar products such as solar power plant, solar water heater, solar street lights, solar lantern lights, solar garden lights, fountains, water pumps up to 30 H.P.



Mechanical works

- Cleaning & maintenance work
- Sand blasting
- Grit blasting
- Metalizing work
- Chemical cleaning
- Hydro cleaning
- Earth moving



Mechanical Inspection

List of our NDT services

- Automated ultra sonic testing by phased array
- X-ray radiography
- Gama radiography
- Ultrasonic flaw detection (A,B&C scan)
- Dye penetrant testing
- Thickness measurement
- Magnetic particle testing
- Eddy current testing
- Storage tank inspection
- Magnetic flux leakage

Pranav Imports & Exports^(M) (+91)9558935500

(+91)9033851380

pranavimportsandexports@gmail.com



Civil work

Construction of building,
walls, concrete road,
platforms, water tanks,
drainage lines.

our clients

- M/s. NTPC Ltd.
- M/s. Deepak nitrite Ltd.
- M/s. J.B Chemicals & pharmaceuticals
- M/s. Amrit crane services
- M/s. Amar crane Services
- M/s. G.C.P.T.C.L
- M/s. Insecticides Ltd.
- M/s. Bharat rasayan Ltd.
- M/s. V-Pure beverages
- M/s. Venus engineering Pvt. Ltd. (Malawi)
- M/s. Steel & Hardware Ltd. (Malawi)
- M/s. Hare Krishna Ice & Allied Industries
- M/s. Dhruv enterprise
- M/s. Amar chemicals
- M/s. Raj pharma
- M/s. Accurate paper tube Pvt. Ltd.
- M/s. Prabhuta InfoTech
- M/s. Neptune infrastructure Pvt. Ltd.

Pranav Imports & Exports^(M) (+91)9558935500

(+91)9033851380

pranavimportsandexports@gmail.com

Contact Us:-

Pranavrajsinh J. Yadav
+91-9558935500
-8140001777

Parth Pandya
+91-9033851380

pranavimportsandexports@gmail.com

Address:-

4&5 Mirambika Complex,
Dahej by pass road, Bharuch
Gujarat 392001, India.

Website: www.pranavimportsandexports.com