



THE COMPOSITE EXPERT...

[www.aeroncomposite.com](http://www.aeroncomposite.com)



CORROSION FREE **COMPOSITE SOLUTIONS**

# Advantages of FRP/GRP/ FIBERGLASS

-  Corrosion/Chemical Resistance
-  High Strength
-  Light Weight
-  Electrical Non Conductivity
-  Thermal Non Conductivity
-  EMI/RFI Transparent
-  Ease of Fabrication
-  Low Life Cycle Cost
-  Less Environmental Impact
-  Termite Proof
-  Flame Retardant



# FRP/GRP POLES & MASTS <<

Aeron FRP/GRP poles offer a solution to traditional problems & are suited to be used in places where poles of other material face serious corrosion problems (e.g. Coastal Area, Chemical zones, marshlands & areas with high temperature fluctuations.) Aeron FRP/GRP Poles are non-polluting & have a long life, can be reused in different locations. No surface treatment required as mandatory with traditional poles. Composite poles installation works out to be economical due to their light weight, they can be hand carried to inaccessible places, no surface treatments, grounding and servicing or painting is required.

## Features and benefits of FRP Poles

- » Corrosion & Chemical Resistant.
- » Light Weight - Lighter than steel, Concrete & Wooden Poles resulting in lower installation and transportation costs.
- » High Mechanical Strength - Low mechanical stiffness of the composite material enables high mechanical strength of the Poles.
- » Better Aesthetics
- » Frangible - In road traffic accidents involving poles, Composite poles cause fewer deaths than steel or concrete poles, due to their ability to fail in a controlled manner.
- » Electrically Insulator - non conductive
- » Low Installation Cost
- » Maintenance Free - No Maintenance required due to its inherent technical properties



## Application

- » Offshore Platforms
- » Chemical Plants
- » Jetties
- » Coastal Area
- » Parks
- » Street Lighting
- » Water fronts
- » Bridges
- » Industrial Platforms
- » Residential Colonies

## Standards followed

- » AASHTO LTS - 4 : Standard Specification for Structural Supports for Highway Signs, Traffic signals.
- » ANSI C 136.20 - 1990 : Fiberglass Reinforced Plastic Lighting Poles
- » IS 875 (Part 3) - 1987 : Code of Practice for Design Loads for Buildings & Structures - Wind Load

## Comparison - FRP/GRP Poles v/s Metal Swaged Poles

Features	GRP/FRP Poles	Metal Poles
Corrosion	Non Corrosive	Highly Corrosive
Aesthetics	Great	Adequate
Earthing	Not required	Required
Life	Very Long	Moderate
Maintenance	Maintenance Free	Very High Maintenance
Weight	Very Light Weight	Very Heavy
Colours	Color Pigmentation (UV Resistant)	Hand Coating from outside
Painting	Non Required	Frequent Painting Required
Relocation	Easy	Difficult
Mounting	Foundation required / Optional	Concrete Foundation is Compulsary
Transportation Cost	Very Less	Very High
Installation Cost	Very Less	Very High
Construction	Single	Multiple
Electrical Conductivity	Electrical Insulator & Non Conductive - Shock Proof	Conductive

## Standard Cross Arms



Single Arm 90°



Single Arm



Double Arm



J Arm

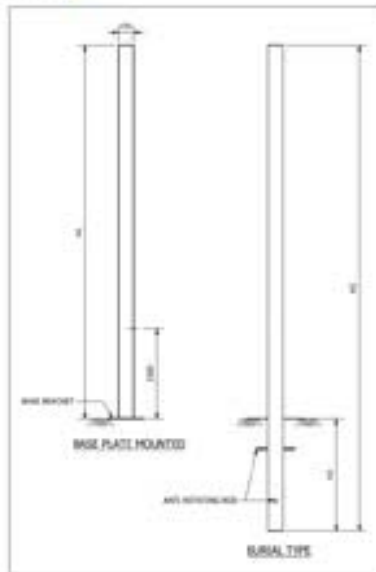
## Other Accessories Available

- » Tenon » Junction Box Bracket
  - » Base Bracket » Decorative Shoe
- (MOC: MS + Polyurethane coat)

# FRP/GRP POLES & MASTS

## Cylindrical Poles (Top mount / Side Mount)

Model	Height above Ground (in mm)	If burial type installation	
		Burial Depth* (in mm)	Shaft Length (in mm)
ACY-3025	2500	900	3400
ACY-3030	3000	900	3900
ACY-4030	3000	900	3900
ACY-4035	3500	900	4400
ACY-4040	4000	900	4900
ACY-4045	4500	900	5400
ACY-4050	5000	1200	6200
ACY-4055	5500	1200	6700
ACY-4060	6000	1200	7200



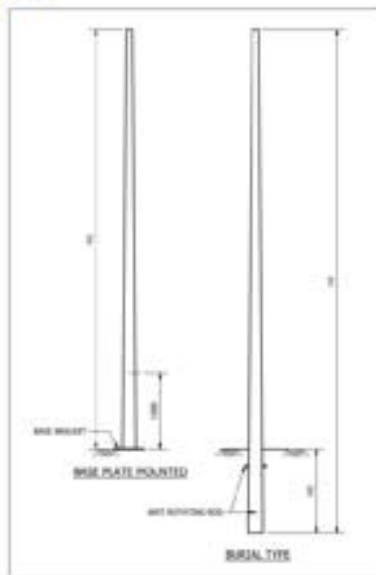
Signages



Traffic Light

## Conical Poles (Top mount / Side Mount)

Model	Height above Ground (in mm)	If burial type installation	
		Burial Depth (in mm)	Shaft Length (in mm)
ACN-6060	6000	1200	7200
ACN-6065	6500	1200	7700
ACN-6070	7000	1200	8200
ACN-6075	7500	1200	8700
ACN-6080	8000	1500	9500
ACN-6085	8500	1500	10000
ACN-6090	9000	1500	10500
ACN-6100	10000	1500	11500
ACN-6110	11000	-	-



Garden / Street Light



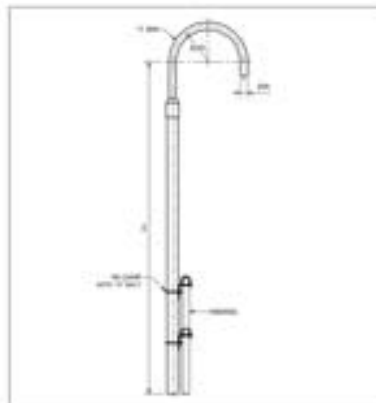
Street Light Poles

## Platform Mounted Poles

Model	Height above Ground (in mm)	OD (in mm)	Surface Type
ACYP-3025	2500	76	Serrated
ACYP-3030	3000	76	Serrated
ACYP-3040	4000	76	Serrated

### Accessories for Conical Poles

Aluminium J Arm with PU / FRP Coating  
MS / GI Clamps for Handrail mounting



Handrail Mounted Poles For Cooling Towers

SUCCESS IS ALL  
ABOUT MAKING  
**RIGHT CHOICES!**

## WHY AERON

- » DESIGN & ENGINEERING SERVICE
- » CUSTOM SOLUTIONS
- » SHORT DELIVERY PERIOD
- » FABRICATION & ASSEMBLY
- » HIGH QUALITY
- » OPTIMUM INVESTMENT

Grow with us..





Fiberglass Cable Tray



Fiberglass Structural Profiles



Fiberglass Ladder



Trefoil Clamp



Fiberglass Handrails



Fiberglass Pultruded Gratings



Fiberglass Canopy



Fiberglass Fencing



Fiberglass Molded Gratings



Fiberglass Poles & Mast



THE COMPOSITE EXPERT...

**AERON COMPOSITE PVT. LTD.**

Reg. Off.: Block No. 496/P, Tajpur Road, Sarkhej Bawala Highway,  
Changodar - 382213 Tal. Sanand, Ahmedabad, Gujarat - INDIA.  
T : +91 79 6525 8500 | F : +91 79 26561238 | M : +91 99099 88266  
E : [info@aeroncomposite.com](mailto:info@aeroncomposite.com) | W : [www.aeroncomposite.com](http://www.aeroncomposite.com)



Scan to Save

