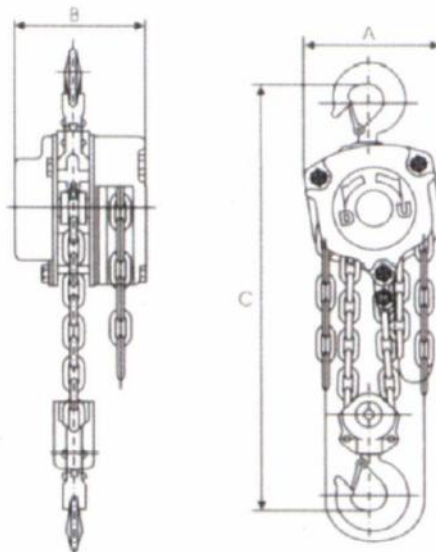
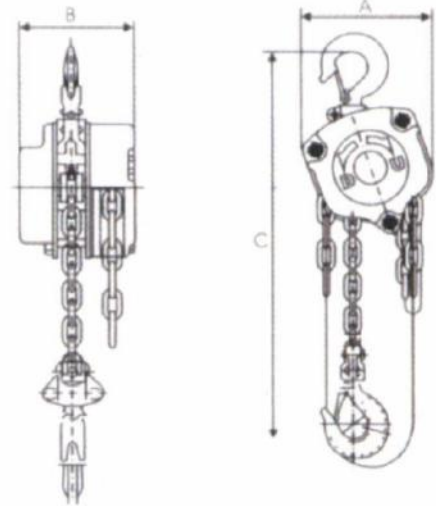


A - Series (Portable) Chain Pulley Blocks



A - Series Chain Pulley Blocks Parameter

Model	0.5-T	1-T	2-T	3-T	5-T	10-T	15-T	20-T	30-T	
Rated load (T)	0.5	1	2	3	5	10	15	20	30	
Standard Lift (m)	3	3	3	3	3	3	3	3	3	
Test load (T)	0.75	1.5	3	4.5	7.5	12.5	18.75	25	37.5	
Efforts required at capacity	262	395	330	402	430	438	447	438	442	
Diameter of load chain (mm)	5	7.1	8	8	10	10	10	10	10	
No. of load chains	1	1	1	2	2	4	6	8	10	
Dimensions (mm)	A	127	180	156	180	230	410	410	645	710
	B	115	142	131	142	171	171	204	215	398
	C	288	415	459	536	660	738	1028	1002	1050
Net weight (kg)	7	15.5	6	23	39	69	95	155	237	
Extra weight per meter of extra lift (kg)	1.5	2	2.7	3.2	5.3	9.8	14.2	19.6	23.9	