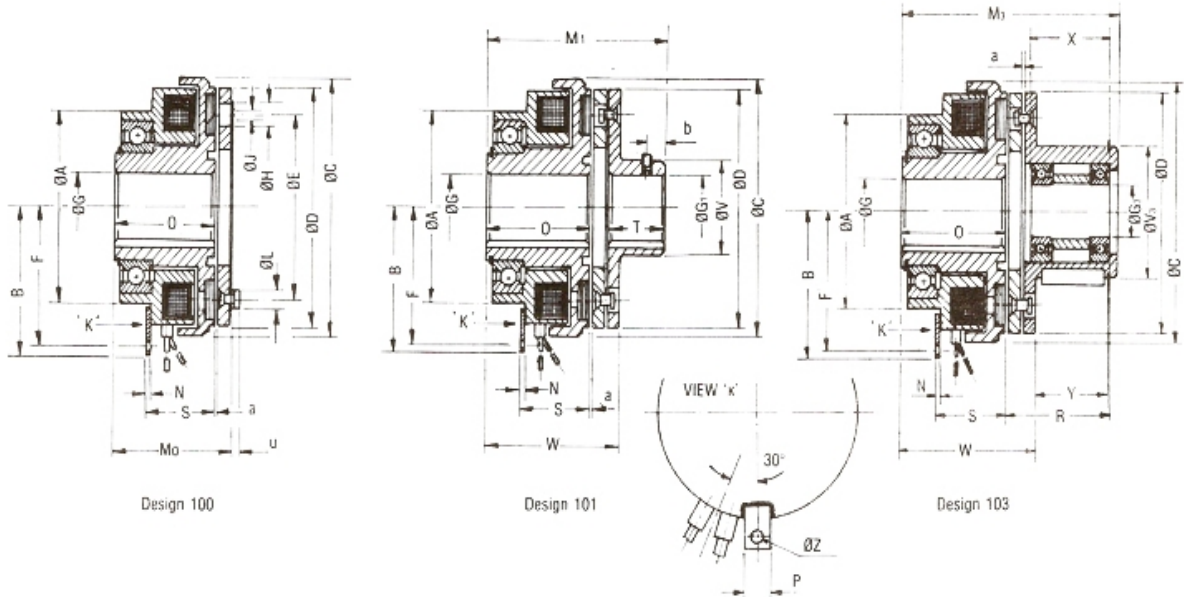


Magpower Linksys



DIMENSIONS : TYPE BMC : BEARING MOUNTED CLUTCH

SIZE	06	08	10	13	17	21	26
Torque (Nm)	7.5	15	30	60	120	240	480
Max. Speed (min ⁻¹)	7000	6000	5000	4000	3000	2500	2000
Input power at 20 °C(W)	15	21	29	36	50	69	86
Ø A	64	68	85	100	127	152.5	167
B	41	50	61	76	99	119	145
Ø C	68	85.5	107	134.5	170	214.5	266.5
Ø D	63	80	100	125	160	200	250
Ø E	46	60	76	95	120	158	210
F	37	46	57	71	93	113	139
Ø G ₁	12	15	20	25	30	40	45
Ø H	6.3	8	10.5	12	15	18	22
Ø J	3 x 3.1	3 x 4.1	3 x 5.1	3 x 6.1	3 x 8.2	3 x 10.2	4 x 12.2
Ø L	3 x 5.5	3 x 7	3 x 9	3 x 10	3 x 13	3 x 16	4 x 20
M ₁	44	48	54.9	62	70.5	85.4	93.9
M ₂	59	68	80	92	108.5	133.5	149
M ₃	67	77	90	108	127.5	155.4	175
N	3	3	5	5	8	8	8
O	40	43.5	49	55	61.5	74	81
P	10	10	10	10	20	20	20
R	22	30.5	37.9	50	63	78.4	88.9
S	27.5	29.8	35.3	39	46.2	52.6	59.7
T	15	20	25	30	38	48	55
U	1.6	1.8	2.4	2.8	3.2	4	4.3
Ø V	28	33	43	50	66	84	106
Ø V _{max}	38	45	55	64	75	90	115
W	47.5	52	60	68	77.5	94.5	105
X	20	23.5	30.5	42	54	64	76
Y	17	22	26.5	36.5	44.5	53.5	64
Ø Z	4.1	4.1	4.1	4.1	8.1	8.1	8.1
a	0.2	0.2	0.2	0.3	0.3	0.5	0.5
b	5	6	6	10	10	15	20
Max Bore Ø G ^{HT}	20	25	30	40	50	60	70
Max Bore Ø G ^{HT}	17	20	30	35	45	60	80

All dimensions in mm. Alterations reserved.
 Standard Bores : 11, 14, 19, 20, 24, 28, 32, 34, 38, 42, 48, 55, 60,70
 Standard Voltages : 24VDC, 96VDC, 190VDC. Other Voltages at extra cost.
 Lead wire length = 400 mm. INM = 0.102 Kgm = 0.737 lb.ft.