

ECOSTAR[®]

★ ★ ★ ★ ★ ★ ★ ★ ★



AIR HEAT GAZORAM BURNERS

High Technology

High Performans

GAS BURNERS

Since 1964, of dynamism and experience of TERMO ISI A.Ş., The company has developed professional combustion systems and components and associated servicing.



- *Wide capacity range*
- *5 different capacity*
- *Capacity 4 – 1162 kW*
- *Stabile and clean combustion*
- *U.V and ionisation home control is available*
- *Natural gas & LPG*
- *Low gas pressure*
- *Easy montage*
- *Motor with variable power and frequency*

Gazoram Burner is a nozzle-mix burner suitable for those industrial direct fire oven or dryer applications where the combustion chamber is operating under balanced pressure conditions requiring wide turn down ranges. The burner offers a simple and versatile solution for any installation having high turn down requirements

In order to hold all the flying fibres on the burner, customer requests optional special design air filters for gazoram burners. These filters have high density air volume surface, so it will prevent the fibres going inside the machines.



OPTIONAL

APPLICATIONS

Specially designed for applications where burners are used under balanced pressure conditions such as in textile machines, printing machines and many other types of dryers.

WORKING CONDITIONS

Gazoram Process Burner is designed for air heating applications. A motorized gas control valve controls the heat output of the burner over the full operating range. The gas runs through the nozzle and then along the inside of the burner cone. Where the combustion air is progressively and tangentially mixed with the gas. The result is a short, very stable flame and clean combustion.

- Air filter
- Monophase motor
- 300 mm long discharge sleeve
- Control motor
- Flame rod or U.V. scanner



Magnet valve; pressure switch and manometer

Gazoram burner is equipped with A1 class safety magnet valve. This will provide safety working conditions gas pressure switch controlling the

gas in the pipe line and gas pressure drops. The service can adjust the gas pressure controlling the manometer.

Automatic Gas Valve

Gazoram burner is working very accurate by using the special type of gas valve you can catch big turn down ratio 1/40 so, the burner modulate and holds temperature with required valve.

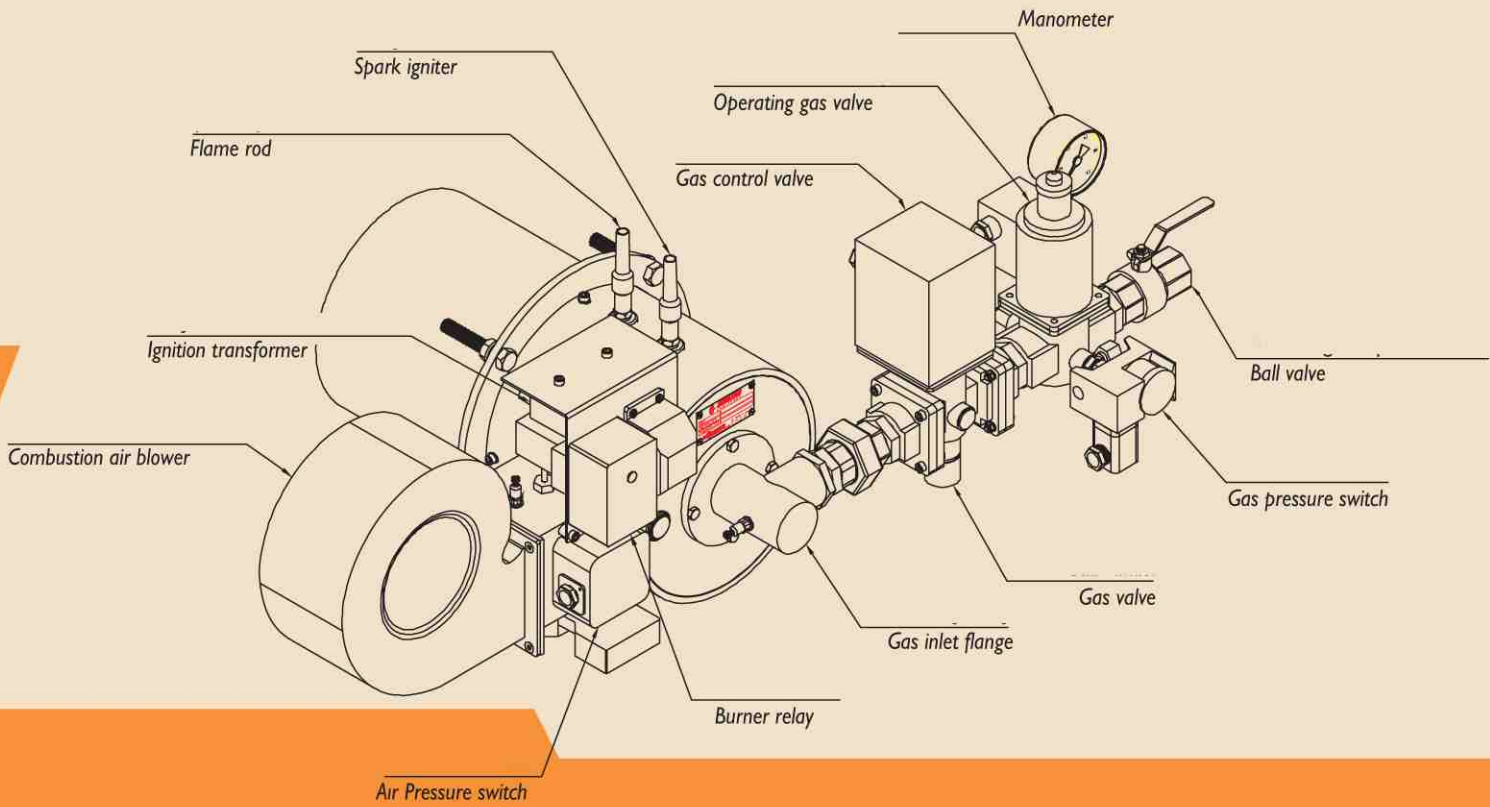


Gazoram Process Burner is used in not only new dryer, Also they are used in conversion of steam or hot oil dryers.

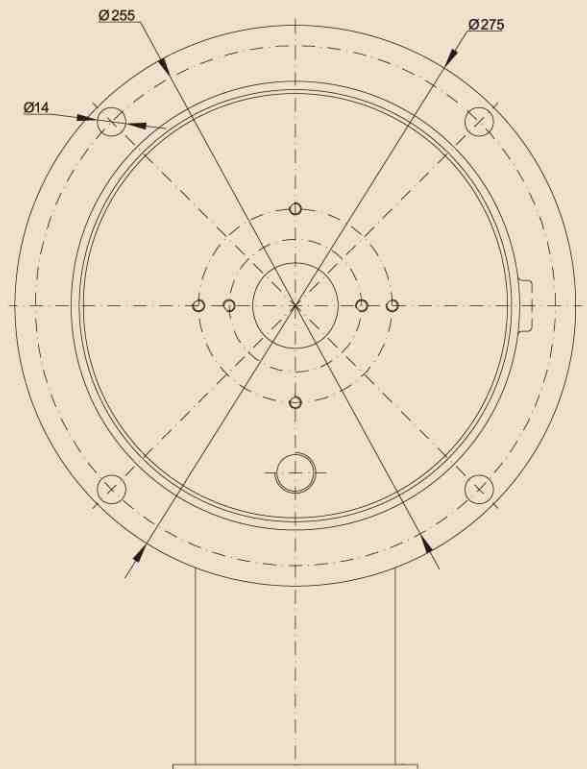
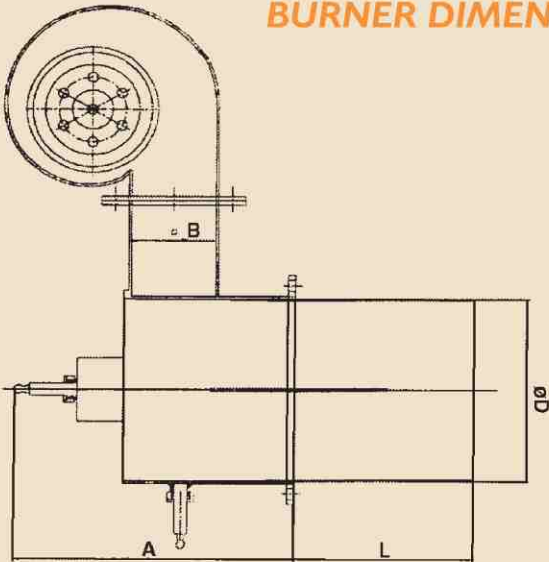
With these conversions, The customer will gain a lot saving of energy and also the speed of dryer is in increasing.



Direct heating also provides sensitive temperature, fast temperature adjusting in the combustion zone so this will increase the speed of the dryer.

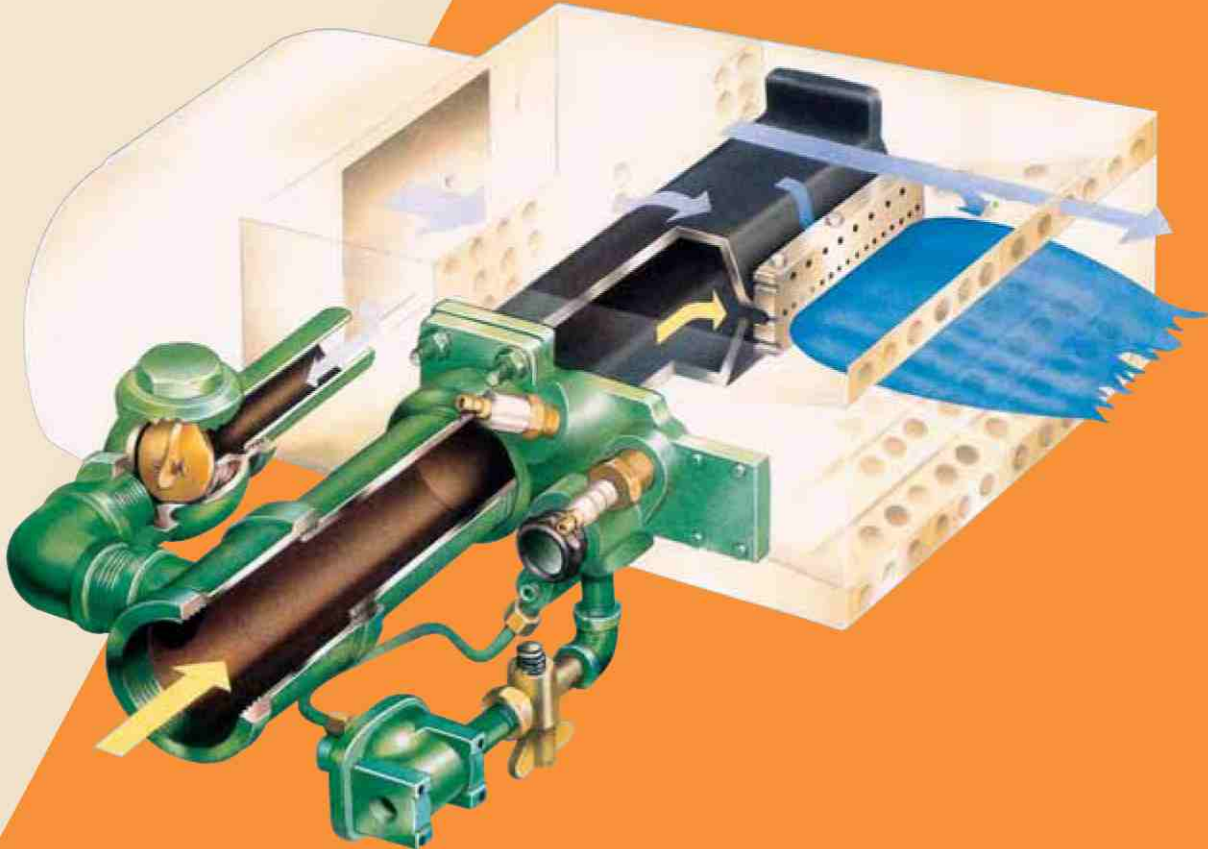


BURNER DIMENSIONS



Burner Type	A	B	L	ØD	Gas Connection
Gazoram 15	342	78	203	155	1"
Gazoram 30	337	98	205	210	1"
Gazoram 60	275	115	200	260	1 1/4"
Gazoram 80	375	120	200	310	1 1/2"
Gazoram 100	375	125	200	320	1 1/2"

AIR HEAT BURNERS



ECOSTAR air heat burners are especially designed for direct fired air heating: process air is directly mixed with combustion gases.

The burner is characterized by a wide turn-down ratio, simple control and high efficiency and is suitable for firing natural gas, town gas and LP gases; this flexibility makes the burner the ideal heat source for: Many Industrial drying processes for complete or surface drying of:

- Textile and carpets

- Malt, corn, wood an veneer

- Paper, cardboard, chip-wood, gipsum plates

- Paint, print work coatings

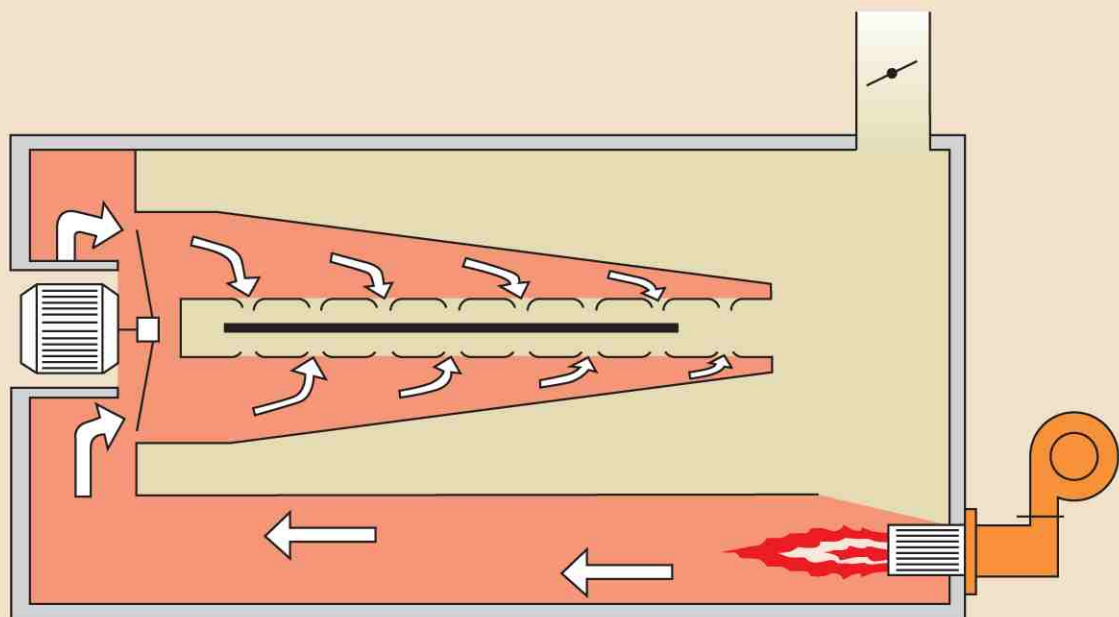
- Ceramics, brickwork, glass

- Fertilizers, a.s.o.

Make-up air systems for:

- Spray booths, welding shops, garages etc.

The combustion is absolutey clean with no danger of CO or aldehydes.



AIR HEAT BURNERS CAPACITY TABLE

Capacity kW	HI Burners				T /HI Burners		
	Burner Size	Cross section area in m ²	Weight in kg	Motor kW	Cross section area in m ²	Weight in kg	Motor kW
116	40	0,025	22	0,25	-	-	-
235	80	0,050	28	0,37	-	-	-
350	120	0,074	34	0,45	-	-	-
465	160	0,099	42	0,9	-	-	-
580	200	0,124	53	0,9	-	-	-
700	240	0,148	57	1,7	0,13	66	1,7
815	280	0,173	65	1,7	0,15	85	1,7
930	320	0,198	74	1,7	0,18	93	1,7
1045	360	0,222	86	1,7	0,20	102	1,7
1165	400	0,247	94	1,7	0,23	118	1,7
1280	440	0,272	104	-	0,25	112	2,2
1400	480	0,296	109	-	0,28	125	2,2
1510	520	0,321	116	-	0,30	135	3
1630	560	0,346	122	-	0,33	144	3
1745	600	0,370	131	-	0,35	156	3
1860	640	-	-	-	0,38	191	3
1980	680	-	-	-	0,40	190	3
2095	720	-	-	-	0,42	197	3

AIR HEAT GAZORAM BURNERS CAPACITY TABLE

/ Burner Type	GRM 15	GRM 30	GRM 60	GRM 80	GRM 100
/ Output (Kcal/h Max.)	150.000	300.000	550.000	750.000	1.000.000
/ Output (Kcal/h Min.)	3.300	8.500	15.000	15.000	16.500
/ Q Gas (m ³ /h Max.)	18	34	66	90	121
/ Q Gas (m ³ /h Min.)	0.40	0.90	1.80	1.80	2.00
/ Combustion Air (Nm ³ /h Max.)	215	325	700	900	1300
/ Ratio	45/1	35/1	36/1	50/1	60/1
/ Excess Air	1.24	1.20	1.15	1.10	1.10
/ Test Gas Pressure	2.80	1.20	2.50	2.50	3.00
/ Fan Motor (3*220/50 Hz kW)	0.08	0.135	0.55	0.75	1.10
/ Weight	13	17	42	49	50



TERMO ISI

Authorised Dealers in India:

Amba Enterprises

C- 130, Station Plaza Basement, Station Road, Bhandup (W), Mumbai - 400 078

Tel: 022-2566 3569 Fax: 022-2566 3550

Email: ambaenterprises@mtnl.net.in Website: www.ambaenterprises.net