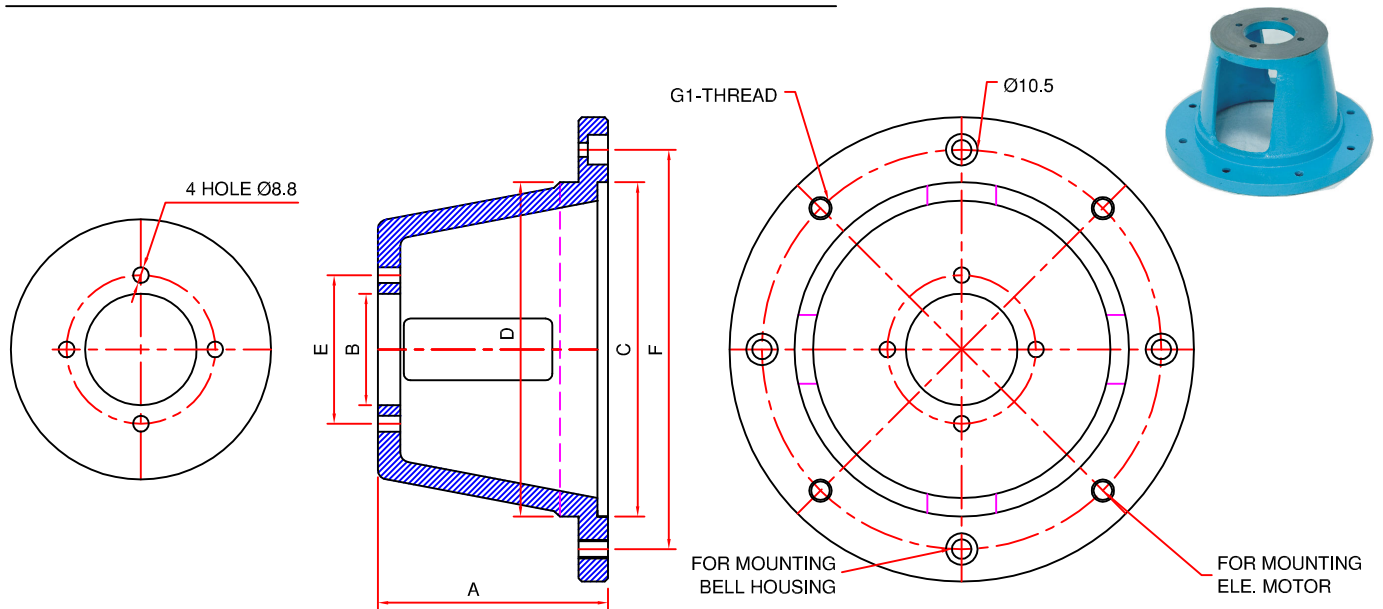


JACKTECH BELL HOUSING FOR PISTON PUMP



Dimensional Details

MOTOR HP.	A	B	C	D	E	F	G1
1,1.5,2 HP	130 122	60	130	130	80	165	M10
3,5 HP	122 145	60	180	180	80	215	M12
7.5 ,10 HP	170 145	60	230	230	80	265	M12
12.5,15,20,25,30 HP	200	60	250	250	80	300	M16
40 HP	210	60	300	300	80	350	M16
50 , 60 HP	240	60	350	300	80	400	M16

ORDER CODE:

